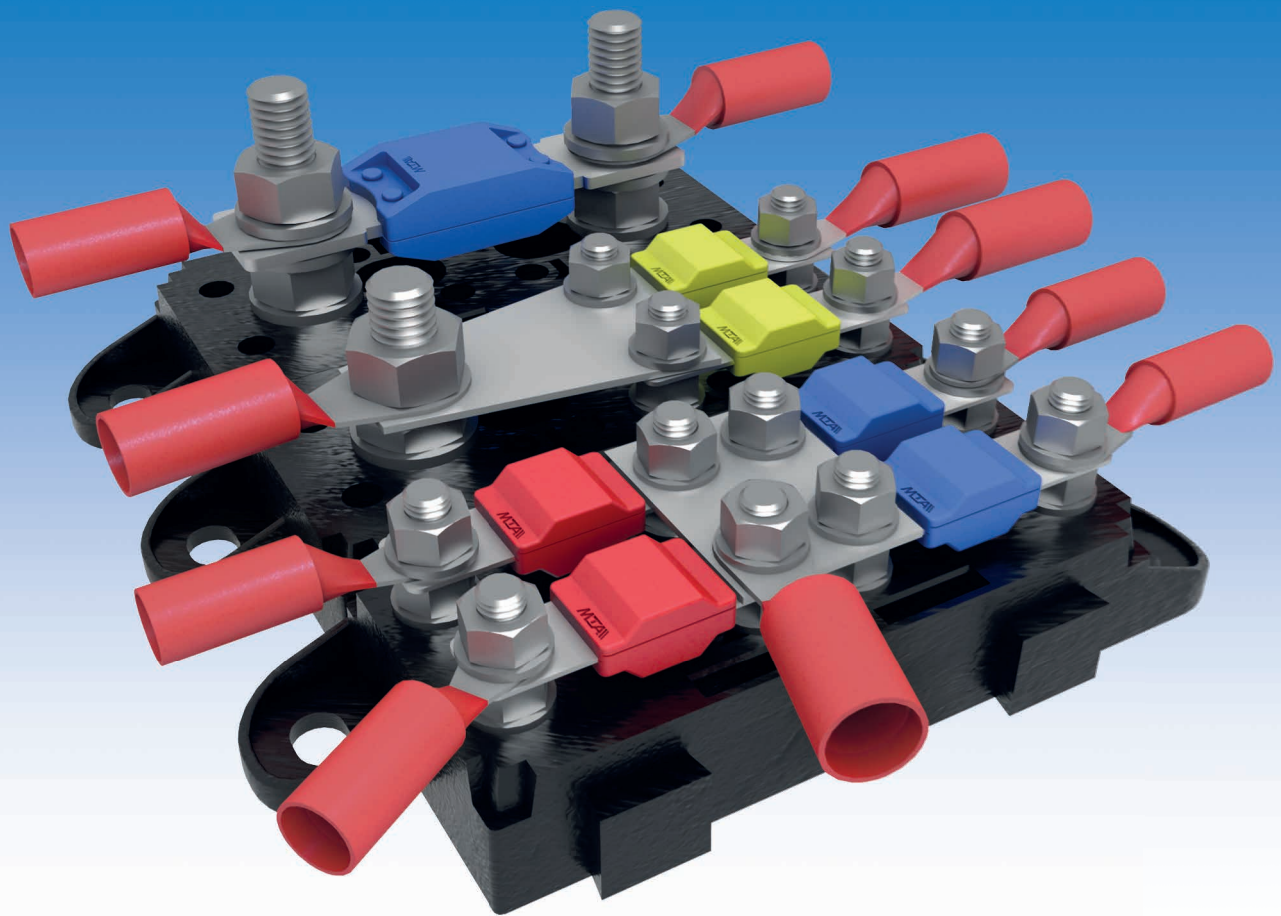


Safety with system



UNIVERSAL-FUSE HOLDERS
VARIANTS · ACCESSORIES · SYSTEM SOLUTIONS

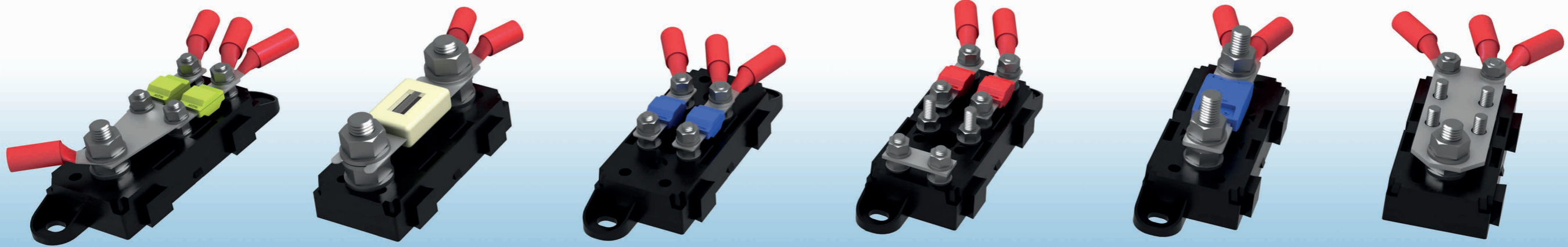


TABLE OF CONTENTS

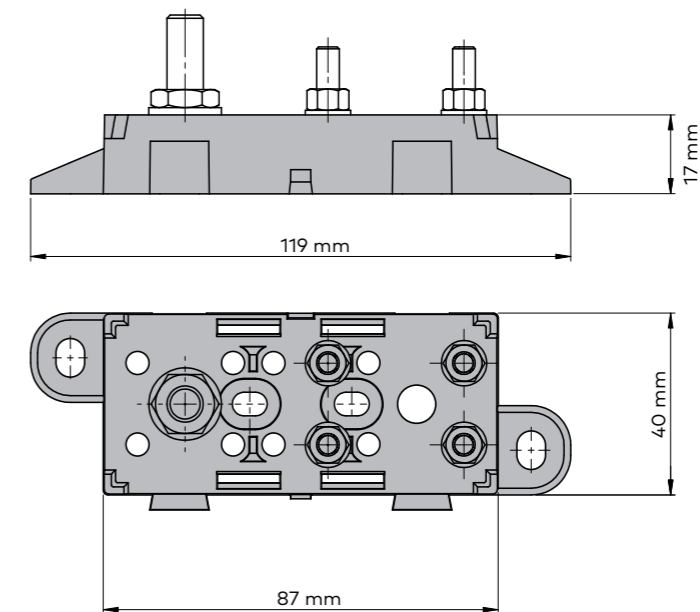
structure	4
mounting options.....	5
example of application	6
overview of universal-fuse holders.....	7
contact bridges	10
accessories.....	12
additional isolation options	14

FUSE HOLDERS

Fuse holders are essential to control and monitor the current flow. They provide a convenient way to connect or disconnect fuses to protect electrical components from dangerous overloads.

The type of fuse holder you choose depends on the type of fuse and the requirements of your application.

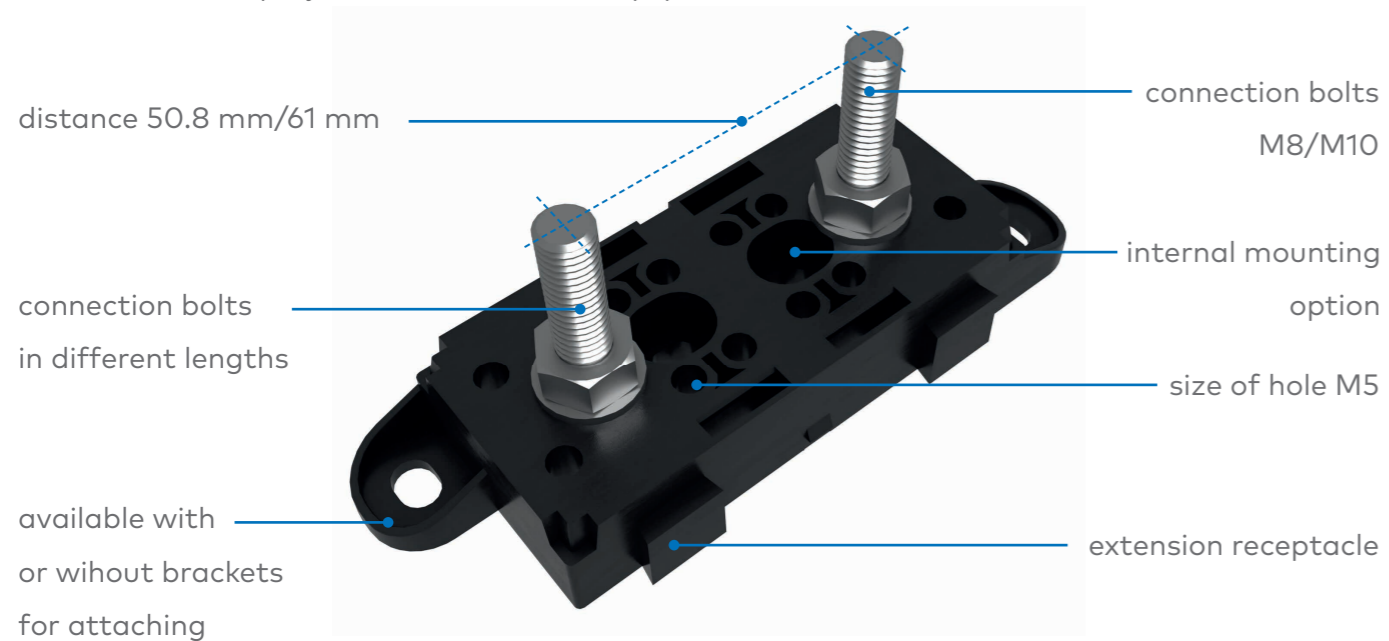
Universal fuse holders by miunske® are characterized by their universal application possibilities as well as the adaptability of different fuse types. Due to their high mechanical and heat resistance and their fire-retardant properties, cracks, deformations, burns or short circuits can be avoided.





STRUCTURE

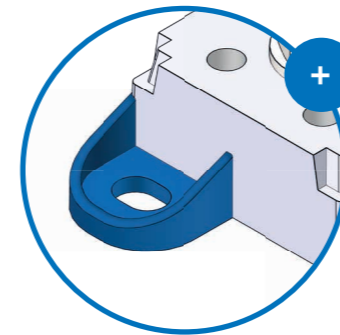
For your application, 4 basic housings are available, which can be individually adapted and combined to the project in terms of their equipment.



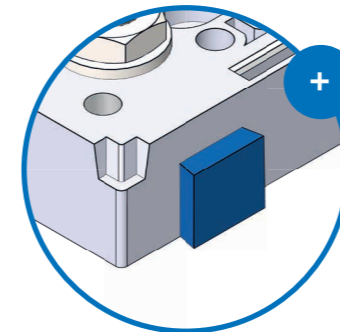
PRODUCT FEATURES

- **combination options** by extension receptacles
- **variants** with different lengths of connection bolts
- **maximum operating voltage** 60VDC/25VAC
- **operating temperature** -30°C up to 85°C
- **material** PA66-GF30
- **flammability class** UL 94 V-0
- **optional:** additional isolation for higher dielectric strength

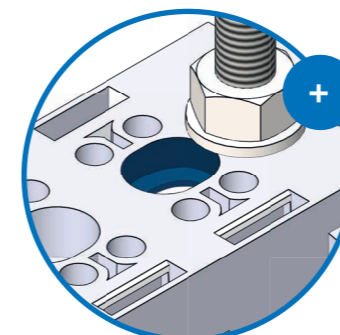
MOUNTING OPTIONS



mounting brackets
mounting lugs on both sides with slotted holes for M6



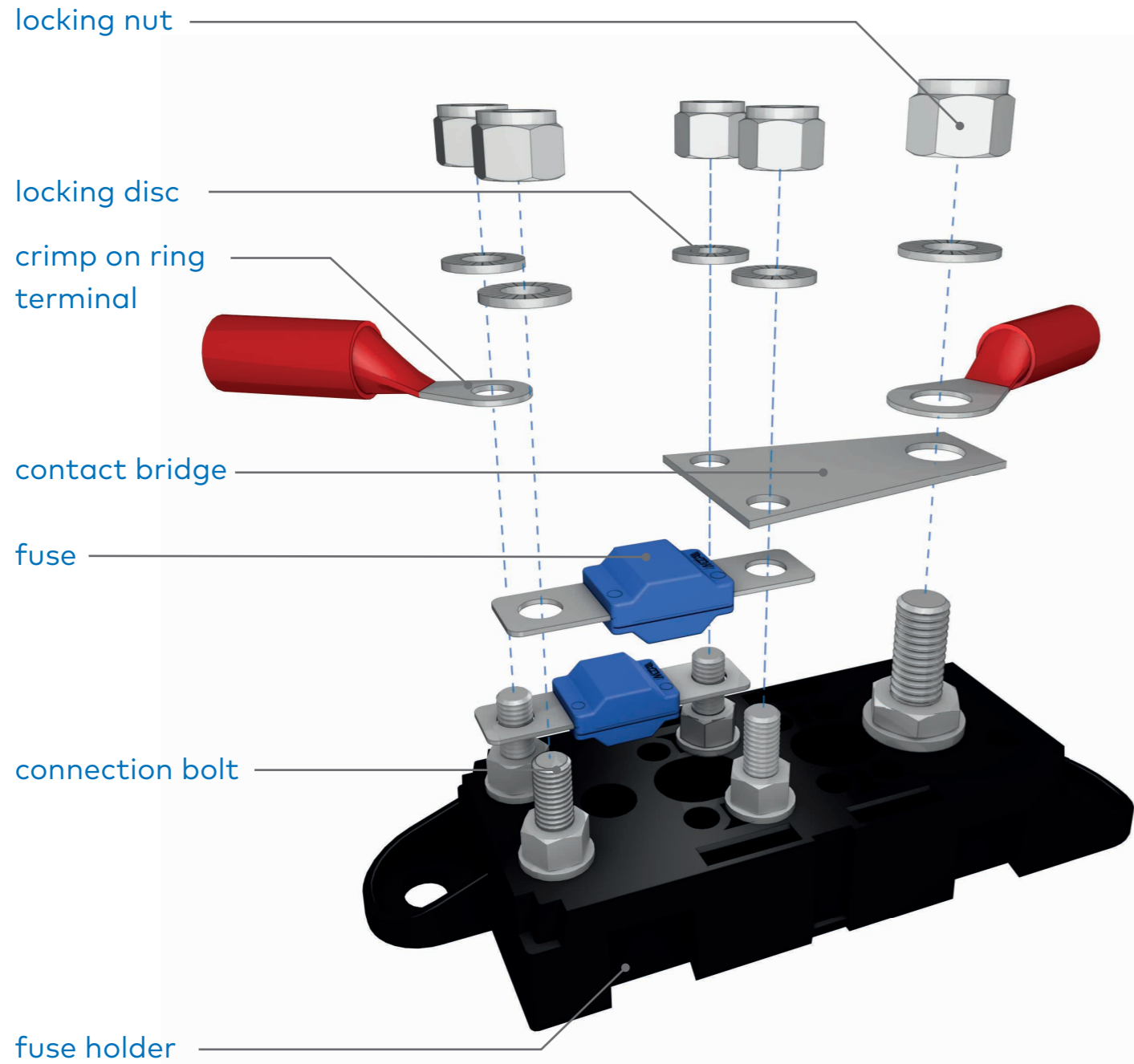
extension receptacle
suitable for all basic housings



internal mounting option
slotted hole for M5

APPLICATION EXAMPLE

For an optimal conductivity of all parts miunske® advises the following assembly.



FUSE HOLDER FOR MIDIVAL

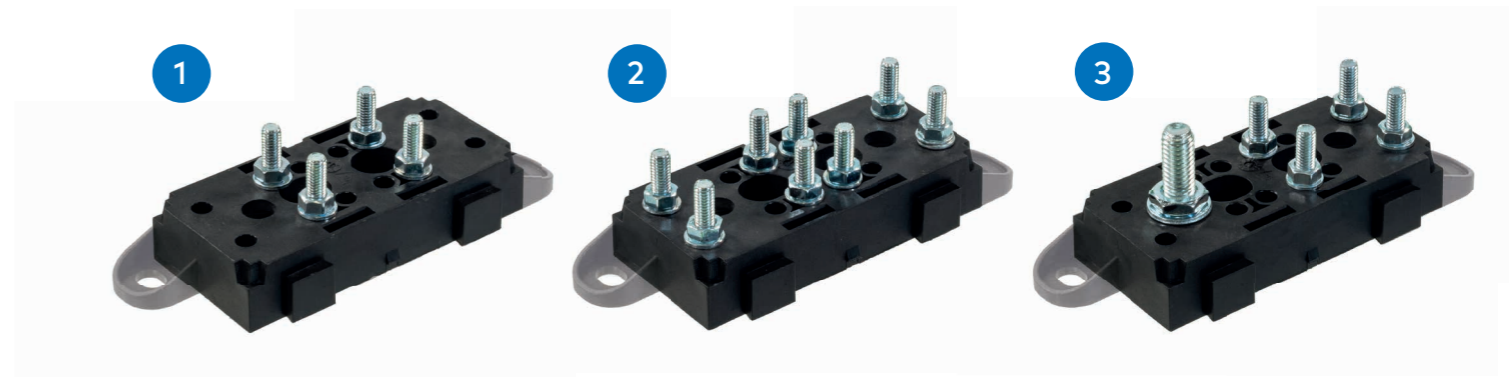


fig.	model	mounting bracket	connection bolt	item number
1	MIDIVal 2-fold	●	M5	5001677
1	MIDIVal 2-fold	-	M5	5001678
2	MIDIVal 4-fold	●	M5	5001683
2	MIDIVal 4-fold	-	M5	5001684
3	MIDIVal 2-fold, for contact bridge	●	M8 / M5	5001679
3	MIDIVal 2-fold, for contact bridge	-	M8 / M5	5001680

suitable accessories

1 2 3

suitable contact bridges on page 10/11

cover, high design item number 5009967

cover, flat design item number 5009966



FUSE HOLDER FOR MEGAVAL

STRIP FUSE HOLDER

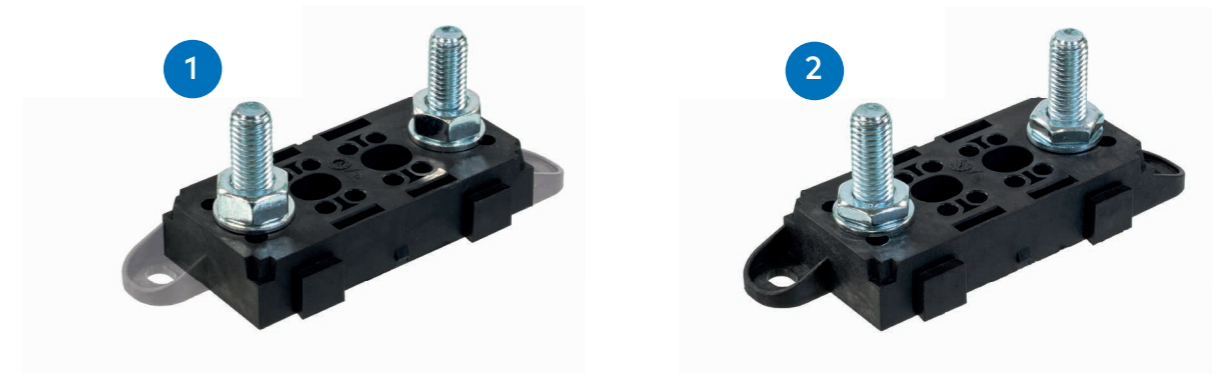
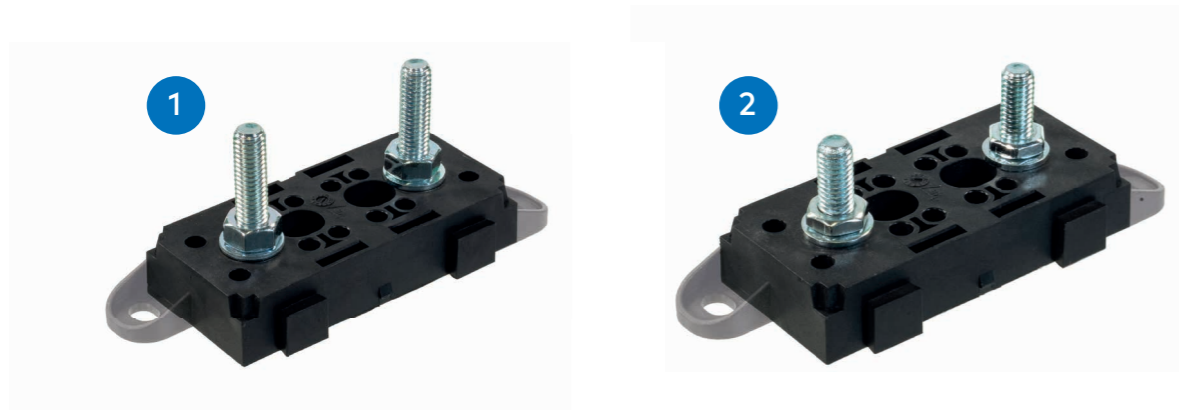


fig.	model	mounting bracket	connection bolt	item number
1	MEGAVal 2-fold	●	M8	5001688
1	MEGAVal 2-fold	-	M8	5001689
2	MEGAVal 2-fold, flat nuts	●	M8	5006014
2	MEGAVal 2-fold, flat nuts	-	M8	5014739

fig.	model	mounting bracket	connection bolt	item number
1	strip fuse holder 1-fold	●	M10	5001694
1	strip fuse holder 1-fold	-	M10	5001695
2	strip fuse holder 1-fold, flat nuts	●	M10	5005091

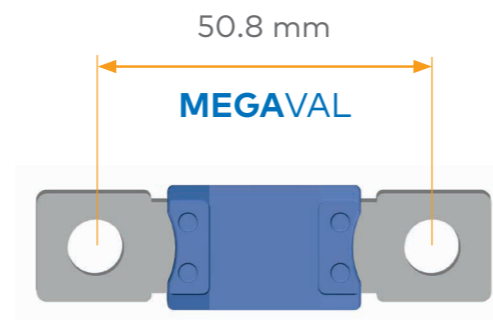
suitable accessories

1
2

suitable contact bridges
on page 10/11

cover, flat design
item number 5009966

cover, high design
item number 5009967

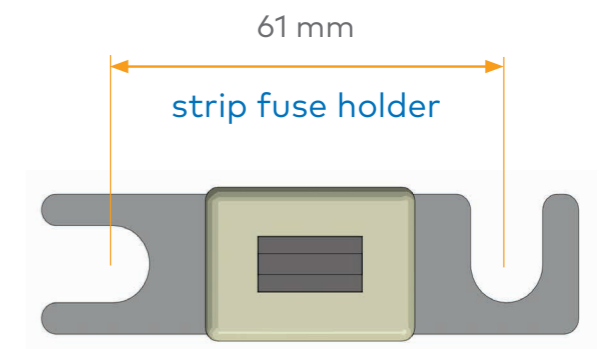


suitable accessories

1 2

suitable contact bridges
on page 10/11

cover, high design
item number 5009967



CONTACT BRIDGES

CONNECTION OPTIONS

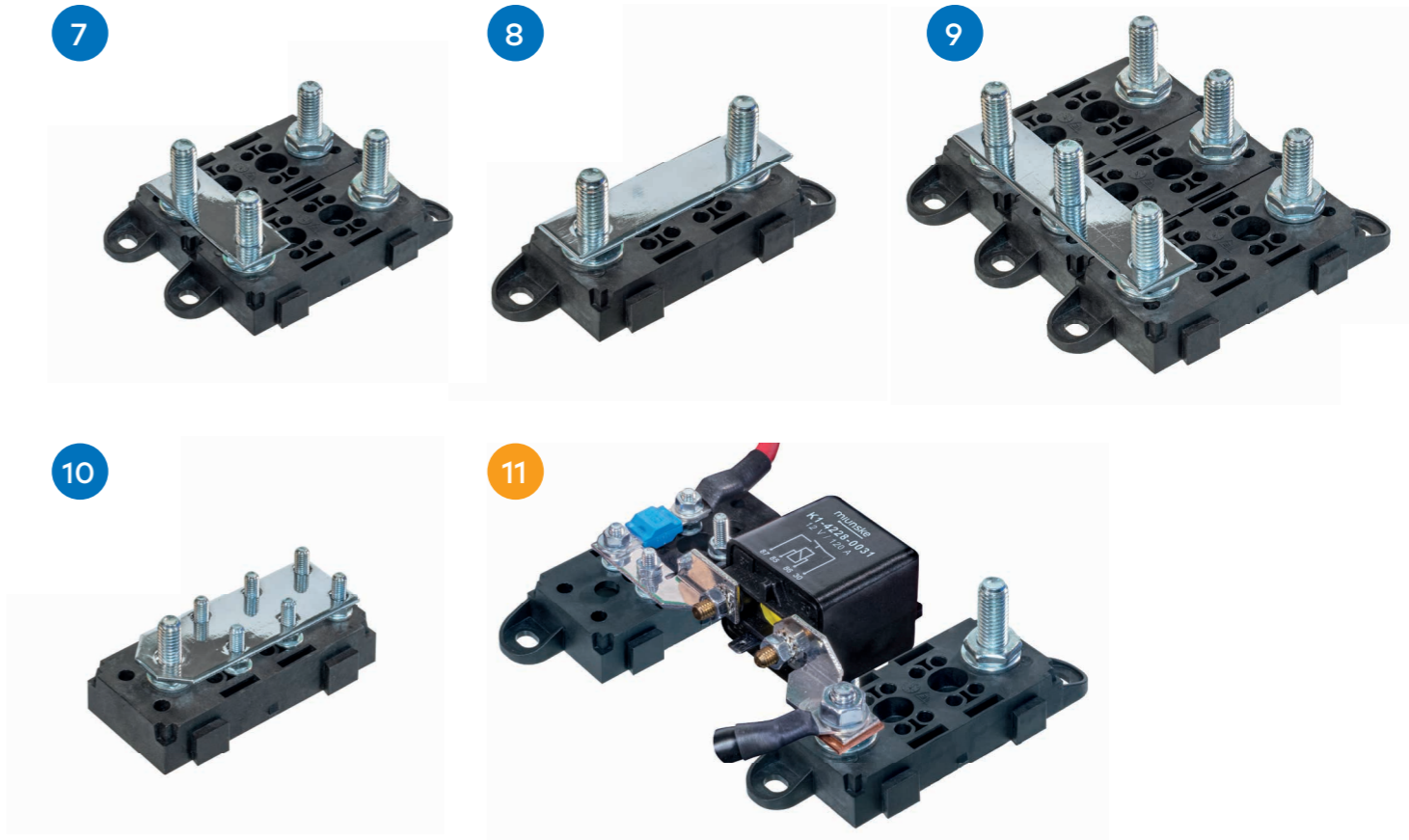
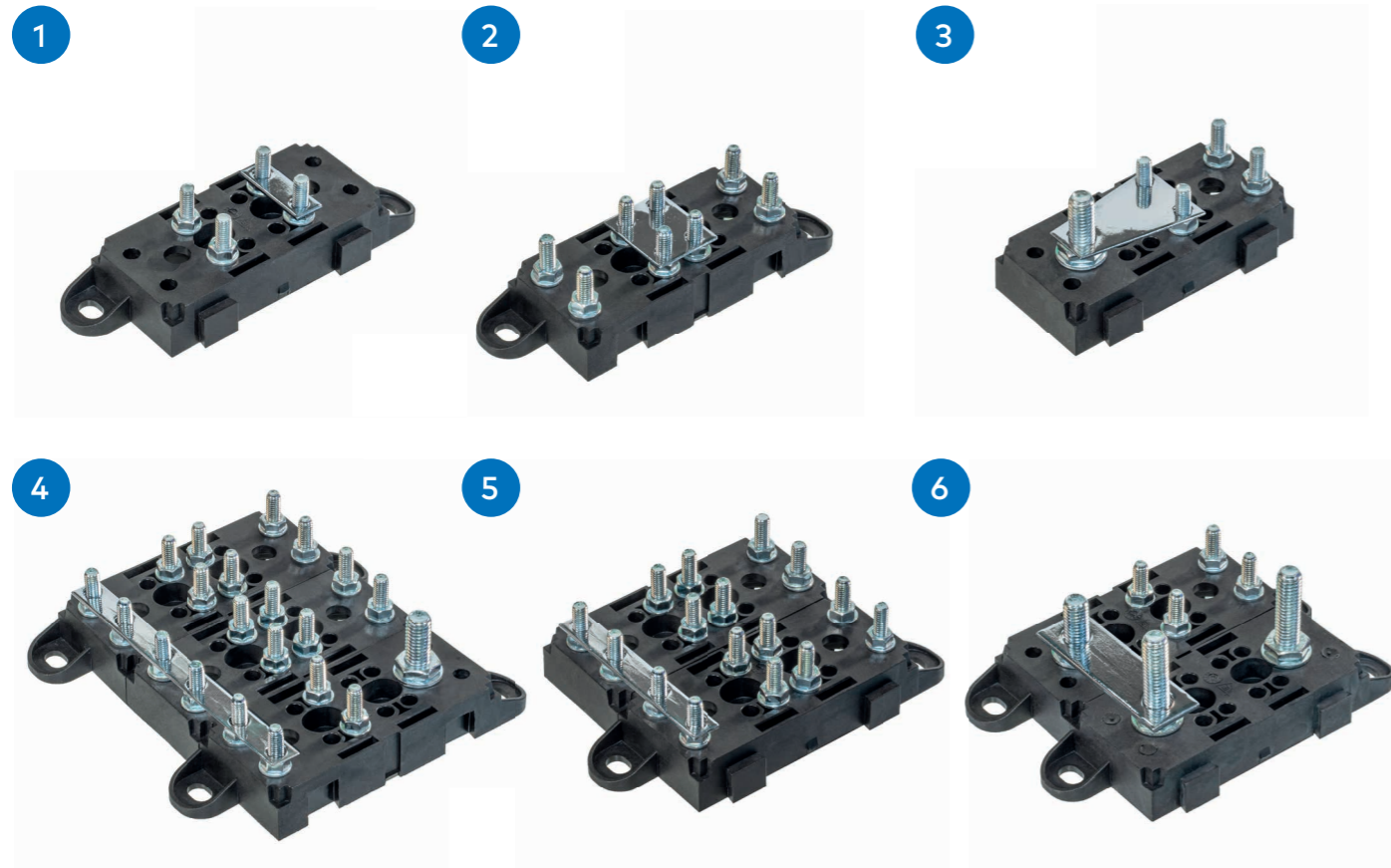
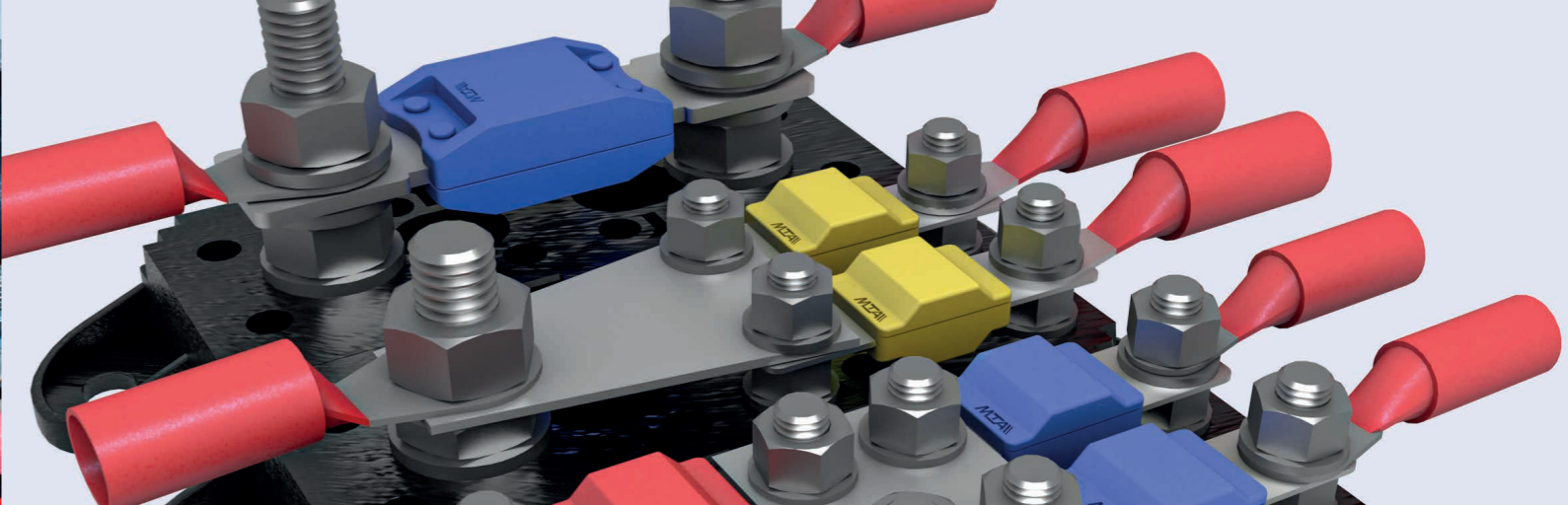
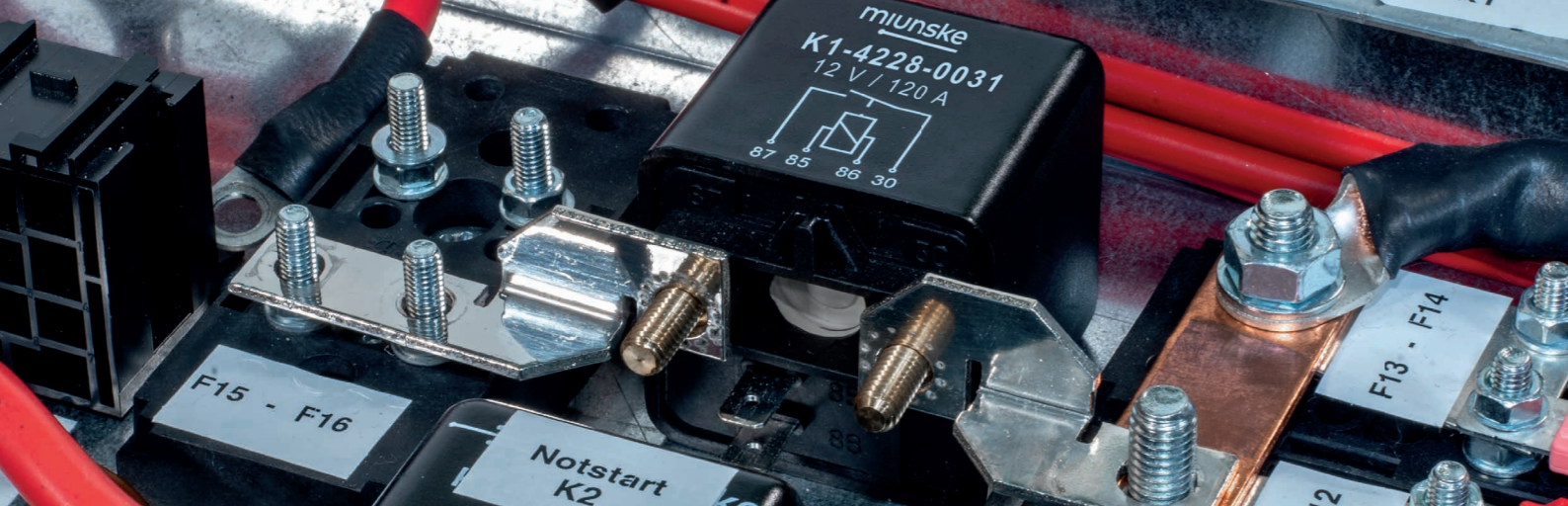


fig.	model	thickness	item number
1	contact bridge 2-fold MIDIVAL	1.5 mm	5005267
2	contact bridge 4-fold MIDIVAL	1.5 mm	5001723
3	contact bridge 2-fold MIDIVAL + M8	1.0 mm	5001724
4	contact bridge 6-fold MIDIVAL	1.5 mm	5017103
5	contact bridge 4-fold MIDIVAL	1.5 mm	5017102
6	contact bridge MEGAVAL	2.0 mm	5013017

fig.	model	thickness	item number
7	contact bridge for strip fuse holder 61mm	2.0 mm	5004580
8	contact bridge for strip fuse holder 61mm	2.0 mm	5006082
9	contact bridge 3-fold, 3xØ11mm, A=2x40mm	2.0 mm	5021611
10	contact bridge for power distributor / ground distributor	2.0 mm	5013020
11	customized variant / Please contact us for your individual solution.		



ACCESSORIES

Whether for conventional applications or complex projects, in combination with the accessories for universal fuse holders available from miunske®, all applications can be realized easily and quickly.



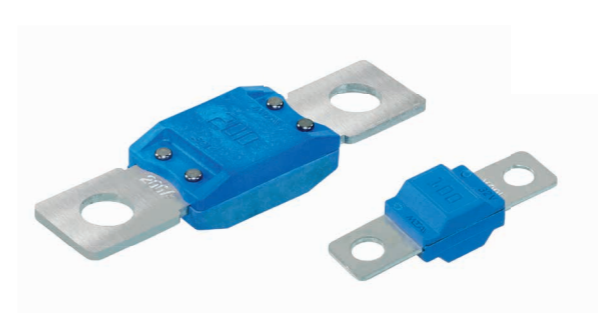
covers

high and flat design variants
note: the length of the connection bolts
limits the choice of the covers



lettering

individual lettering via laser engraving
(optional on demand)



fuses

- MIDIVAL, MEGAVAL,
POWERVAL
- strip fuses



adapters

- MEGA- / MINIVAL (5011847)
- MIDI- / MINIVAL (5007619)
- opt. LED function indicator
- other adapter variants on request



cut-outs

according to customer requirements
(optional on demand)



notching pliers

for individual cut-outs



contact bridges

different designs
(see page 10 + 11)



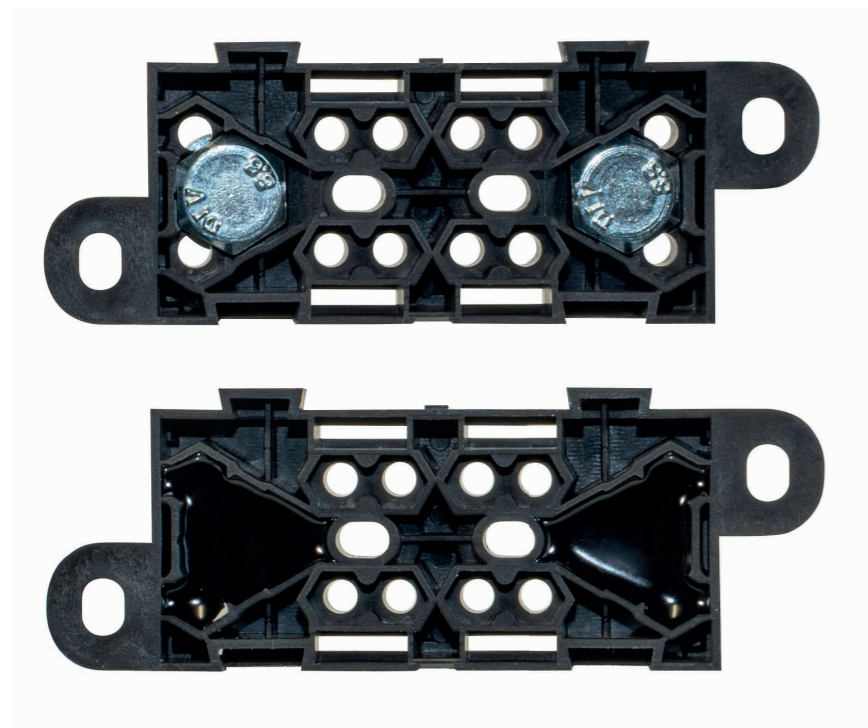
pre-assembled cables

for application specific connections



ADDITIONAL ISOLATION OPTIONS

To increase the dielectric strength and avoid short circuits.



MORE INFORMATION

You will find a large number of fuse holders in our product catalogue

<https://katalog.miunske.com/en/product-catalogue>

Should you require any further information on products of this or any other kind don't hesitate to contact our product consultants in technical sales:

phone: +49 35938 9800-0 • email: info@miunske.com

07-2023

contact partner:

miunske[®]

miunske GmbH
D-02692 Großpostwitz
+49 35938 9800-0
info@miunske.com
www.miunske.com
