

Product Overview

Harnessflex TempGuard system

High temperature wiring harnesses

Harnessflex
SPECIALIST CONDUIT SYSTEMS

Power and productivity
for a better world™ **ABB**

Harnessflex TempGuard system

High temperature wiring harnesses



The **NEW** TempGuard range from Harnessflex has been designed to satisfy the market demand for a complete wiring harness protection solution, which can handle long term exposure to high temperatures.

As a leading designer and manufacturer of flexible conduit systems, fittings and connector interfaces, Harnessflex is well known for providing automotive manufacturers across the globe, with solutions that protect vehicle wiring against damage from mechanical abrasion, liquid and dust ingress, and corrosive salts.

Our **NEW** TempGuard system has been designed to meet the increasing demands of today's engines. EGR systems that recycle an engine's waste gases, the use of single or multiple turbos to improve tractability, power and fuel efficiency have all contributed to higher temperature areas within a vehicle's engine. The TempGuard conduit and fittings system is designed to work specifically with high temperature wiring, allowing them to successfully operate at up to 200°C, with long term heat aging, tensile and impact strength testing carried out to ensure the reliability and validity of the range. Through improved system performance and integrity TempGuard reduces running costs, minimises breakdowns and downtime, increasing overall productivity.

Features & benefits

- High temperature range of (up to 200°C) for conduit and fittings - offering greater protection for wiring
- Very high flexibility & fatigue life, with protection from heat, abrasion, vibration and automotive fluids in all harness routing areas
- High temperature Polyamide fittings
- High temperature Co-Polyester conduit
- UL94 V2 certified fittings
- Products tested for tensile and impact strength

Harnessflex TempGuard allows increased usage of components at higher engine temperatures, due to:

- Turbo use
- Increased engine efficiency
- Reduced noise



We offer advice on any specific application, e-mail the technical team at cmg.conduitsystems@tnb.com

Applications

The TempGuard launch range includes:

- HTC08 to HTC20 conduit
- T & Y-Piece fittings
- Straight & elbow fittings

Connector Interfaces:

- AMP Junior and Mini Timer
- AMP Superseal
- Ampseal 16 connectors
- Bosch connectors
- Deutsch connectors
- FCI Apex 2.8 connectors



Harnessflex TempGuard system

Solving automotive routing temperature issues



Approvals

CE Mark to the Low Voltage Directive

RoHS Compliant to 2011/65/EU

Conforms with **End of Life Vehicle directive (ELV) EU200/53/EC**



Designed to operate at temperatures up to 200°C, TempGuard systems provide a complete high temperature solution for the automotive market.

Modern engine design has continually evolved to meet changing times. Global regulations such as Euro 6, USA10, and Tier 4 for off-highway heavy duty vehicles have mandated that manufacturers reduce emission levels. This required reduction, along with changes to engine design to improve safety, reduce noise and improve efficiency, have resulted in higher engine temperatures and led to the automotive industry actively looking for a complete and effective solution to protect the wiring and connectors in their engines.

Harnessflex have responded to market demand, by creating it's new range of high temperature conduits and fittings, designed to operate at temperatures up to 200°C. Created from the outset for use as a full system, the range is made from specialist co-polyester and polyamide respectively, that provide long-term heat, age, tensile, and impact strength to protect vital cable connections. The system has endured long term heat age testing to ensure consistent performance.

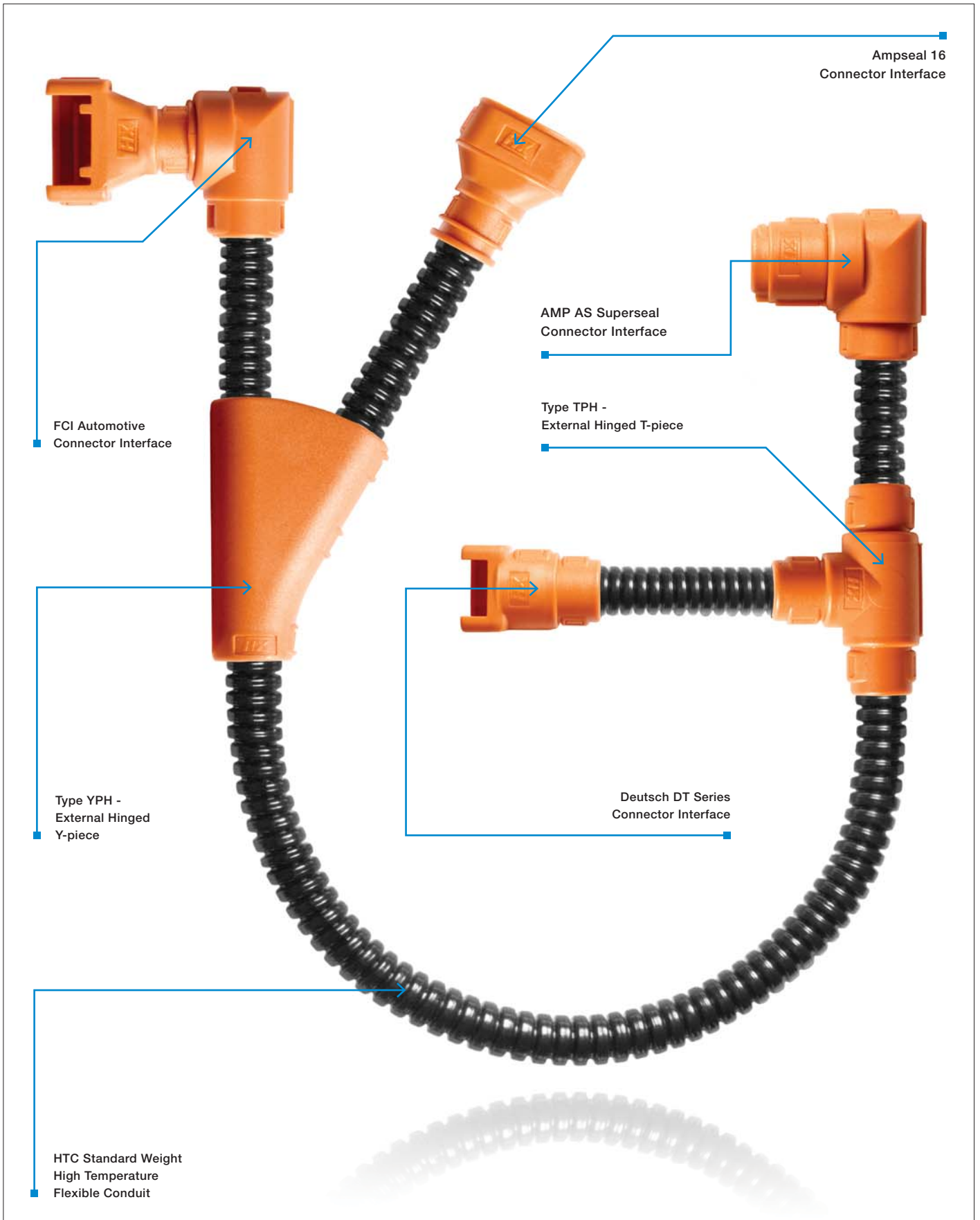
The TempGuard system is manufactured from low smoke, zero halogen materials, with a temperature operating range suited to the heat demands of today's engines.

The system provides higher performance levels of flexibility, impact and abrasion resistance, combined with enhanced chemical resistances especially to oils and greases for aggressive engine compartment environments. The range includes HTC08 - HTC20 conduit, with respective T and Y-Piece fittings, straight and elbow joiners, along with connectors for AMP, Bosch, Deutsch and FCI.

A working high temperature sample harness is available for order and global shipping (see the sample harness opposite).

Harnessflex TempGuard system

High temperature harness - Sample



Harnessflex TempGuard system

Range overview



| Type | Type JPH - External Hinged Joiner | Type EPH - External Hinged Elbow | Type TPH - External Hinged T-Piece | Type YPH - External Hinged Y-Piece | Two-piece X Configuration fitting | AMP AS Superseal Swivel Interface |
|---|--|--|--|---|--|--|
| Part number | JPH | EPH | TPH | YPH | XPH | CIH-AS |
| Description | One-piece joiner hinged fittings allow a variety of conduit size variations. These fittings are designed to snap together over all types of slit or unslit conduit, maintaining maximum conduit bore. Can be used as a reducer as well as an enlarger. | One-piece elbow joiner hinged fittings allow a variety of conduit size variations. These fittings are designed to snap together over all types of slit or unslit conduit, maintaining maximum conduit bore. Can be used as a reducer as well as an enlarger. | One-piece symmetrical 3 junction fittings allow a variety of conduit size variations. These fittings are designed to snap together over all types of Harnessflex conduits in extreme temperature applications. | One-piece symmetrical 3 junction fittings allow a variety of conduit size variations. These fittings are designed to snap together over all types of slit and unslit conduit, maintaining maximum conduit bore. | Two-piece X configuration fitting. These fittings are designed to snap together over all types of slit and unslit conduit, maintaining maximum conduit bore. | Single junction straight and 90° elbow interfaces providing high integrity connections between AS - AMP Superseal connectors and Harnessflex conduit systems. In addition, 90° elbow versions allow the conduit to swivel 360° around the connector housing. |
| Material | Polyamide (Nylon) | Polyamide (Nylon) | Polyamide (Nylon) | Polyamide (Nylon) | Polyamide (Nylon) | Polyamide (Nylon) |
| For use with | HTC standard weight conduit | HTC standard weight conduit | HTC standard weight conduit | HTC standard weight conduit | HTC standard weight conduit | HTC standard weight conduit |
| Colour | | | | | | |
| Orange | • | • | • | • | • | • |
| Black | – | – | – | – | – | – |
| IP Rating (with appropriate fitting) | | | | | | |
| IP40 | • | • | • | • | • | • |
| Characteristics | | | | | | |
| Temperature Range | | | | | | |
| Minimum | -40°C | -40°C | -40°C | -40°C | -40°C | -40°C |
| Permanent max. | +160°C | +160°C | +160°C | +160°C | +160°C | +160°C |
| Long term max. (30,000 hrs) | +185°C | +185°C | +185°C | +185°C | +185°C | +185°C |
| Short term max. (3000 hrs) | +200°C | +200°C | +200°C | +200°C | +200°C | +200°C |
| Mechanical protection | Medium | Medium | Medium | Medium | Medium | Medium |
| UV resistance | High | High | High | High | High | High |
| Flexibility | – | – | – | – | – | – |
| Fatigue life | – | – | – | – | – | – |
| Low smoke / Halogen free | • | • | • | • | • | • |
| Self extinguishing | • | • | • | • | • | • |
| High abrasion resistance | • | • | • | • | • | • |
| Approvals | | | | | | |
| CE | • | • | • | • | • | • |
| UL94 V2 | • | • | • | • | • | • |
| RoHS to 2011/65/EU | • | • | • | • | • | • |
| ELV EU200/53/EC | • | • | • | • | • | • |
| Page No. | 9 | 9 | 10 | 11 | 12 | 12 |



AMP Junior & Mini Timer Connector Interface

Ampseal 16 Connector Interface

Bosch Compact Connector Interface

Deutsch - DT Series Connector Interface

FCI Automotive Apex Connector Interface

HTC Standard Weight High Temperature Conduit

CIH-AM

CIH-AT

CIH-BC

CIH-DT

CIH-FC

HTC

Single junction straight and 90° elbow interfaces providing high integrity connections between AMP Superseal or Junior Timer connectors and Harnessflex conduit systems. In addition, 90° elbow versions allow the conduit to swivel 360° around the connector housing.

A range of straight and 90° elbow fittings offering a compact and high integrity connection between Ampseal automotive connectors and Harnessflex conduit systems. These interfaces provide complete cable protection right up to the connector.

Single junction straight and 90° elbow interfaces providing high integrity connections between Bosch Compact connectors and Harnessflex conduit systems. In addition, 90° elbow versions allow the conduit to swivel 360° around the connector housing.

Single junction straight and 90° elbow fittings providing high integrity connections between Deutsch DT connectors and Harnessflex conduit systems. In addition, 90° elbow versions allow the conduit to swivel 360° around the connector housing.

Straight and 90° elbow fittings offering a compact and high integrity connection between FCI Apex automotive connectors or junior timer connectors and Harnessflex conduit systems. These interfaces provide complete protection right up to the connector.

HTC Conduit suited to static applications where elevated temperatures are present. High compression strength and excellent chemical resistance.

Polyamide (Nylon)

Polyamide (Nylon)

Polyamide (Nylon)

Polyamide (Nylon)

Polyamide (Nylon)

Co-Polyester

HTC standard weight conduit

HTC standard weight conduit

HTC standard weight conduit

HTC standard weight conduit

HTC standard weight conduit

Harnessflex High Temperature Hinged Fittings

•

•

•

•

•

–

–

–

–

–

–

•

•

•

•

•

•

•

-40°C

-40°C

-40°C

-40°C

-40°C

-45°C

+160°C

+160°C

+160°C

+160°C

+160°C

+150°C

+185°C

+185°C

+185°C

+185°C

+185°C

+175°C

+200°C

+200°C

+200°C

+200°C

+200°C

+190°C

Medium

Medium

Medium

Medium

Medium

Very high

High

High

High

High

High

Very high

–

–

–

–

–

Very high

–

–

–

–

–

High

•

•

•

•

•

•

•

•

•

•

•

•

•

•

•

•

•

•

•

•

•

•

•

•

•

•

•

•

•

–

•

•

•

•

•

•

•

•

•

•

•

•

13

14

15

16

17

19



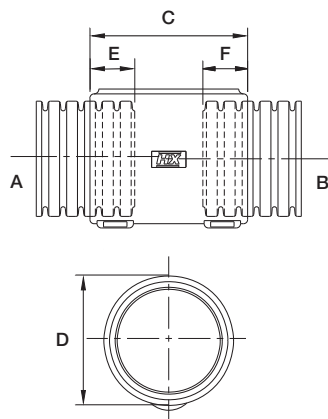
TempGuard hinged fittings

Type JPH & EPH - External hinged joiner & external hinged elbow



Type JPH
External High Temperature
Hinged Joiner

Dimensions



Type JPH - External High Temperature Hinged Joiner

One-piece joiner and elbow hinged fittings allow a variety of conduit size variations. These fittings are designed to snap together over all types of slit and unslit Harnessflex conduit, maintaining maximum conduit bore. Can be used as an in-line reducer as well as an enlarger.

| Part No. | Conduit Size (NC) | | Conduit Size (NW) | | Nominal Dimensions | | | |
|----------|-------------------|----|-------------------|----|--------------------|------|------|------|
| | A | B | A | B | C | D | E | F |
| JPH1212 | 12 | 12 | 10 | 10 | 36mm | 16mm | 10mm | 10mm |
| JPH1612 | 16 | 12 | 13 | 10 | 36mm | 21mm | 10mm | 10mm |

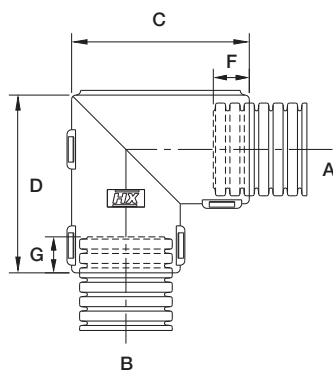
| Part No. | Conduit Size (NC) | | Conduit Size (NW) | | Nominal Dimensions | | | |
|----------|-------------------|----|-------------------|-----|--------------------|------|------|------|
| | A | B | A | B | C | D | E | F |
| JPH1208* | 12 | 08 | 10 | 7.5 | 38mm | 16mm | 10mm | 10mm |
| JPH1616* | 16 | 16 | 13 | 13 | 36mm | 21mm | 10mm | 10mm |
| JPH2008* | 20 | 08 | 17 | 7.5 | 38mm | 26mm | 12mm | 10mm |
| JPH2016* | 20 | 16 | 17 | 13 | 38mm | 26mm | 12mm | 10mm |
| JPH2020* | 20 | 20 | 17 | 17 | 38mm | 26mm | 12mm | 12mm |

*Made to order - Part numbers listed are available to order but not stocked items, and would therefore be subject to manufacturing leadtime



Type EPH
External High Temperature
Hinged Elbow

Dimensions



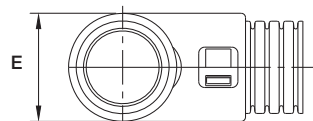
Type EPH - External High Temperature Hinged Elbow

One-piece joiner and elbow hinged fittings allow a variety of conduit size variations. These fittings are designed to snap together over all types of slit and unslit Harnessflex conduit, maintaining maximum conduit bore. Can be used as an in-line reducer as well as an enlarger.

| Part No. | Conduit Size (NC) | | Conduit Size (NW) | | Nominal Dimensions | | | | |
|----------|-------------------|----|-------------------|----|--------------------|------|------|------|------|
| | A | B | A | B | C | D | E | F | G |
| EPH1612 | 16 | 12 | 13 | 10 | 34mm | 34mm | 21mm | 10mm | 10mm |
| EPH1616 | 16 | 16 | 13 | 13 | 34mm | 34mm | 21mm | 10mm | 10mm |
| EPH2020 | 20 | 20 | 17 | 17 | 41mm | 41mm | 26mm | 12mm | 12mm |

| Part No. | Conduit Size (NC) | | Conduit Size (NW) | | Nominal Dimensions | | | | |
|-----------|-------------------|----|-------------------|-----|--------------------|------|------|------|------|
| | A | B | A | B | C | D | E | F | G |
| EPH08S08* | 08 | 08 | 7.5 | 7.5 | 38mm | 29mm | 20mm | 10mm | 10mm |
| EPH12S12* | 12 | 12 | 10 | 10 | 38mm | 29mm | 20mm | 10mm | 10mm |
| EPH1608* | 16 | 08 | 10 | 7.5 | 34mm | 34mm | 21mm | 10mm | 10mm |
| EPH2008* | 20 | 08 | 17 | 7.5 | 41mm | 39mm | 26mm | 12mm | 10mm |
| EPH2016* | 20 | 16 | 17 | 13 | 41mm | 41mm | 26mm | 12mm | 10mm |

*Made to order - Part numbers listed are available to order but not stocked items, and would therefore be subject to manufacturing leadtime



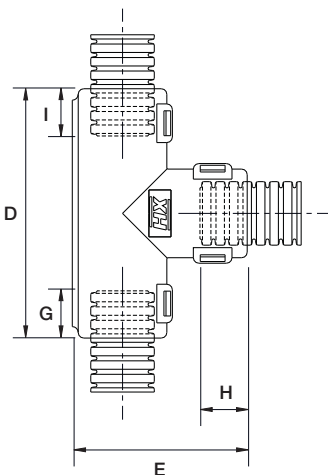
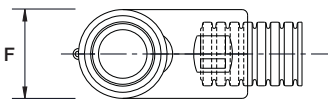
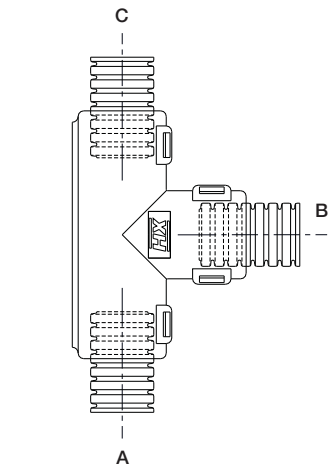
TempGuard hinged fittings

Type TPH - External hinged T-piece



Type TPH
External High Temperature
Hinged T-piece

Dimensions



Type TPH - External High Temperature Hinged T-piece

One-piece symmetrical 3 junction fittings allow a variety of conduit size variations. These fittings are designed to snap together over all types of slit and unslit Harnessflex conduit, maintaining maximum conduit bore.

| Part No. | Conduit Size (NC) | | | Conduit Size (NW) | | | Nominal Dimensions | | | | | |
|-----------|-------------------|----|----|-------------------|-----|-----|--------------------|--------|------|------|------|------|
| | A | B | C | A | B | C | D | E | F | G | H | I |
| TPH080808 | 08 | 08 | 08 | 7.5 | 7.5 | 7.5 | 45.2mm | 31.1mm | 17mm | 10mm | 10mm | 10mm |
| TPH081208 | 08 | 12 | 08 | 7.5 | 10 | 7.5 | 45.2mm | 31.1mm | 17mm | 10mm | 10mm | 10mm |
| TPH120808 | 12 | 08 | 08 | 10 | 7.5 | 7.5 | 45.2mm | 31.1mm | 17mm | 10mm | 10mm | 10mm |
| TPH120812 | 12 | 08 | 12 | 10 | 7.5 | 10 | 45.2mm | 31.1mm | 17mm | 10mm | 10mm | 10mm |
| TPH121208 | 12 | 12 | 08 | 10 | 10 | 7.5 | 45.2mm | 31.1mm | 17mm | 10mm | 10mm | 10mm |
| TPH121212 | 12 | 12 | 12 | 10 | 10 | 10 | 45.2mm | 31.1mm | 17mm | 10mm | 10mm | 10mm |
| TPH121612 | 12 | 16 | 12 | 10 | 13 | 10 | 45.2mm | 31.1mm | 17mm | 10mm | 10mm | 10mm |
| TPH160812 | 16 | 08 | 12 | 13 | 7.5 | 10 | 49.1mm | 34.8mm | 21mm | 10mm | 10mm | 10mm |
| TPH160816 | 16 | 08 | 16 | 13 | 7.5 | 13 | 49.1mm | 34.8mm | 21mm | 10mm | 10mm | 10mm |
| TPH161212 | 16 | 12 | 12 | 13 | 10 | 10 | 49.1mm | 34.8mm | 21mm | 10mm | 10mm | 10mm |
| TPH161216 | 16 | 12 | 16 | 13 | 10 | 13 | 49.1mm | 34.8mm | 21mm | 10mm | 10mm | 10mm |
| TPH161608 | 16 | 16 | 08 | 13 | 13 | 7.5 | 49.1mm | 34.8mm | 21mm | 10mm | 10mm | 10mm |
| TPH161612 | 16 | 16 | 12 | 13 | 13 | 10 | 49.1mm | 34.8mm | 21mm | 10mm | 10mm | 10mm |
| TPH161616 | 16 | 16 | 16 | 13 | 13 | 13 | 49.1mm | 34.8mm | 21mm | 10mm | 10mm | 10mm |
| TPH162012 | 16 | 20 | 12 | 13 | 17 | 10 | 49.1mm | 34.8mm | 21mm | 10mm | 10mm | 10mm |
| TPH162016 | 16 | 20 | 16 | 13 | 17 | 13 | 49.1mm | 34.8mm | 21mm | 10mm | 10mm | 10mm |
| TPH200816 | 20 | 08 | 16 | 17 | 7.5 | 13 | 56.5mm | 41.0mm | 26mm | 12mm | 10mm | 10mm |
| TPH200820 | 20 | 08 | 20 | 17 | 7.5 | 17 | 56.5mm | 41.0mm | 26mm | 12mm | 10mm | 12mm |
| TPH201216 | 20 | 12 | 16 | 17 | 10 | 13 | 56.5mm | 41.0mm | 26mm | 12mm | 10mm | 10mm |
| TPH201220 | 20 | 12 | 20 | 17 | 10 | 17 | 56.5mm | 41.0mm | 26mm | 12mm | 10mm | 12mm |
| TPH201616 | 20 | 16 | 16 | 17 | 13 | 13 | 56.5mm | 41.0mm | 26mm | 12mm | 10mm | 10mm |
| TPH201620 | 20 | 16 | 20 | 17 | 13 | 17 | 56.5mm | 41.0mm | 26mm | 12mm | 10mm | 12mm |
| TPH202012 | 20 | 20 | 12 | 17 | 17 | 10 | 56.5mm | 41.0mm | 26mm | 12mm | 12mm | 10mm |
| TPH202016 | 20 | 20 | 16 | 17 | 17 | 13 | 56.5mm | 41.0mm | 26mm | 12mm | 12mm | 10mm |
| TPH202020 | 20 | 20 | 20 | 17 | 17 | 17 | 56.5mm | 41.0mm | 26mm | 12mm | 12mm | 12mm |

| Part No. | Conduit Size (NC) | | | Conduit Size (NW) | | | Nominal Dimensions | | | | | |
|------------|-------------------|----|----|-------------------|-----|-----|--------------------|--------|------|------|------|------|
| | A | B | C | A | B | C | D | E | F | G | H | I |
| TPH081612* | 08 | 16 | 12 | 7.5 | 13 | 10 | 45.2mm | 31.1mm | 17mm | 10mm | 10mm | 10mm |
| TPH100808* | 10 | 08 | 08 | 8.5 | 7.5 | 7.5 | 45.2mm | 31.7mm | 17mm | 10mm | 10mm | 10mm |
| TPH101010* | 10 | 10 | 10 | 8.5 | 8.5 | 8.5 | 45.2mm | 31.7mm | 17mm | 10mm | 10mm | 10mm |
| TPH101012* | 10 | 10 | 12 | 8.5 | 8.5 | 13 | 45.2mm | 31.7mm | 17mm | 10mm | 10mm | 10mm |
| TPH121010* | 12 | 10 | 10 | 10 | 8.5 | 8.5 | 45.2mm | 31.1mm | 17mm | 10mm | 10mm | 10mm |
| TPH121012* | 12 | 10 | 12 | 10 | 8.5 | 10 | 45.2mm | 31.1mm | 17mm | 10mm | 10mm | 10mm |
| TPH121210* | 12 | 12 | 10 | 10 | 10 | 7.5 | 45.2mm | 31.1mm | 17mm | 10mm | 10mm | 10mm |
| TPH160808* | 16 | 08 | 08 | 13 | 7.5 | 7.5 | 49.1mm | 34.8mm | 21mm | 10mm | 10mm | 10mm |
| TPH161012* | 16 | 10 | 12 | 13 | 8.5 | 10 | 49.1mm | 34.8mm | 21mm | 10mm | 10mm | 10mm |
| TPH161016* | 16 | 10 | 16 | 13 | 8.5 | 13 | 49.1mm | 34.8mm | 21mm | 10mm | 10mm | 10mm |
| TPS201016* | 20 | 10 | 16 | 17 | 8.5 | 13 | 56.5mm | 41.0mm | 26mm | 12mm | 10mm | 10mm |
| TPS201020* | 20 | 10 | 20 | 17 | 8.5 | 17 | 56.5mm | 41.0mm | 26mm | 12mm | 10mm | 12mm |
| TPS201612* | 20 | 16 | 12 | 17 | 13 | 10 | 56.5mm | 41.0mm | 26mm | 12mm | 10mm | 10mm |

*Made to order - Part numbers listed are available to order but not stocked items, and would therefore be subject to manufacturing leadtime

TempGuard hinged fittings

Type YPH - External hinged Y-piece



Type YPH
External High Temperature
Hinged Y-piece

Type YPH - External High Temperature Hinged Y-piece

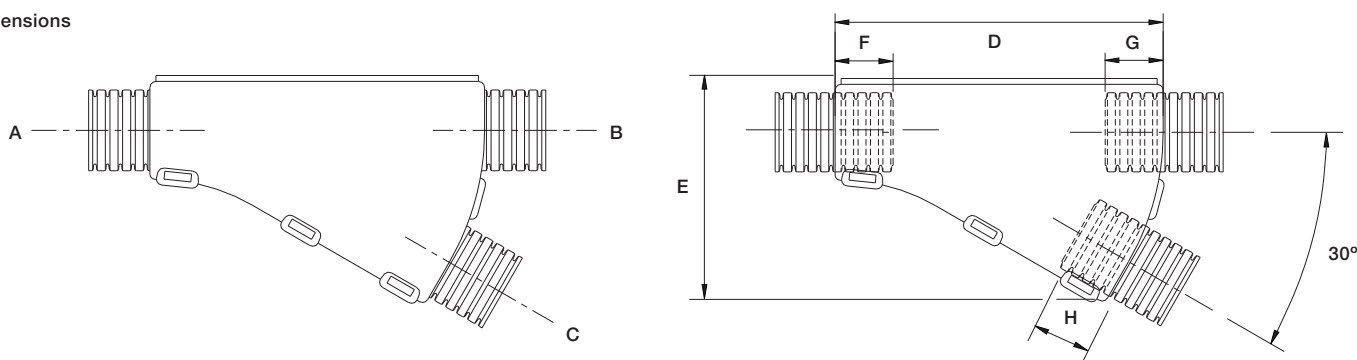
One-piece asymmetrical 3 junction fittings allow a variety of conduit variations. These fittings are designed to snap together over all types of slit and unslit Harnessflex conduit, maintaining maximum conduit bore.

| Part No. | Conduit Size (NC) | | | Conduit Size (NW) | | | Nominal Dimensions | | | | |
|-----------|-------------------|----|----|-------------------|-----|-----|--------------------|------|------|------|------|
| | A | B | C | A | B | C | D | E | F | G | H |
| YPH080808 | 08 | 08 | 08 | 7.5 | 7.5 | 7.5 | 55mm | 37mm | 10mm | 10mm | 10mm |
| YPH120808 | 12 | 08 | 08 | 10 | 7.5 | 7.5 | 55mm | 37mm | 10mm | 10mm | 10mm |
| YPH120810 | 12 | 08 | 10 | 10 | 7.5 | 8.5 | 55mm | 37mm | 10mm | 10mm | 10mm |
| YPH121208 | 12 | 12 | 08 | 10 | 10 | 7.5 | 55mm | 37mm | 10mm | 10mm | 10mm |
| YPH121212 | 12 | 12 | 12 | 10 | 10 | 10 | 55mm | 37mm | 10mm | 10mm | 10mm |
| YPH161208 | 16 | 12 | 08 | 13 | 10 | 7.5 | 55mm | 40mm | 10mm | 10mm | 10mm |
| YPH161212 | 16 | 12 | 12 | 13 | 10 | 10 | 55mm | 40mm | 10mm | 10mm | 10mm |
| YPH161608 | 16 | 16 | 08 | 13 | 13 | 7.5 | 55mm | 40mm | 10mm | 10mm | 10mm |
| YPH161612 | 16 | 16 | 12 | 13 | 13 | 10 | 55mm | 40mm | 10mm | 10mm | 10mm |
| YPH201212 | 20 | 12 | 12 | 17 | 10 | 10 | 43mm | 37mm | 12mm | 10mm | 10mm |
| YPH201616 | 20 | 16 | 16 | 17 | 13 | 13 | 48mm | 40mm | 12mm | 10mm | 10mm |
| YPH202008 | 20 | 20 | 08 | 17 | 17 | 7.5 | 56mm | 45mm | 12mm | 10mm | 10mm |
| YPH202012 | 20 | 20 | 12 | 17 | 17 | 10 | 58mm | 45mm | 12mm | 12mm | 10mm |
| YPH202016 | 20 | 20 | 16 | 17 | 17 | 13 | 64mm | 48mm | 12mm | 12mm | 10mm |

| Part No. | Conduit Size (NC) | | | Conduit Size (NW) | | | Nominal Dimensions | | | | |
|-----------|-------------------|----|----|-------------------|-----|-----|--------------------|------|------|------|------|
| | A | B | C | A | B | C | D | E | F | G | H |
| YPH080812 | 08 | 08 | 12 | 7.5 | 7.5 | 10 | 55mm | 37mm | 10mm | 10mm | 10mm |
| YPH081208 | 08 | 12 | 08 | 7.5 | 10 | 7.5 | 55mm | 37mm | 10mm | 10mm | 10mm |
| YPH101010 | 10 | 10 | 10 | 8.5 | 8.5 | 8.5 | 55mm | 37mm | 10mm | 10mm | 10mm |
| YPH121010 | 12 | 10 | 10 | 10 | 8.5 | 8.5 | 55mm | 37mm | 10mm | 10mm | 10mm |
| YPH121210 | 12 | 12 | 10 | 10 | 10 | 8.5 | 55mm | 37mm | 10mm | 10mm | 10mm |
| YPH161010 | 16 | 10 | 10 | 13 | 8.5 | 8.5 | 55mm | 40mm | 10mm | 10mm | 10mm |
| YPH161210 | 16 | 12 | 10 | 13 | 10 | 8.5 | 55mm | 40mm | 10mm | 10mm | 10mm |
| YPH161610 | 16 | 16 | 10 | 13 | 13 | 8.5 | 55mm | 40mm | 10mm | 10mm | 10mm |
| YPH200808 | 20 | 08 | 08 | 17 | 7.5 | 7.5 | 43mm | 37mm | 12mm | 10mm | 10mm |
| YPH201208 | 20 | 12 | 08 | 17 | 10 | 7.5 | 43mm | 37mm | 12mm | 10mm | 10mm |
| YPH201210 | 20 | 12 | 10 | 17 | 10 | 8.5 | 43mm | 37mm | 12mm | 10mm | 10mm |
| YPH201608 | 20 | 16 | 08 | 17 | 13 | 7.5 | 43mm | 37mm | 12mm | 10mm | 10mm |
| YPH201612 | 20 | 16 | 12 | 17 | 13 | 10 | 48mm | 40mm | 12mm | 10mm | 10mm |
| YPH202010 | 20 | 20 | 10 | 17 | 17 | 8.5 | 58mm | 45mm | 12mm | 12mm | 10mm |

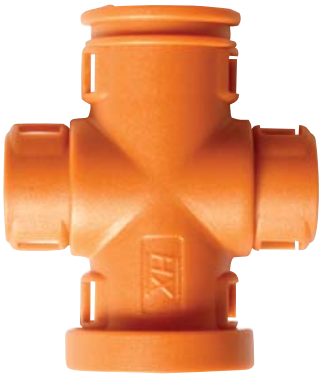
*Made to order - Part numbers listed are available to order but not stocked items, and would therefore be subject to manufacturing leadtime

Dimensions



TempGuard two-piece fitting & Swivel interface

Two-piece X configuration fitting & AMP AS Superseal

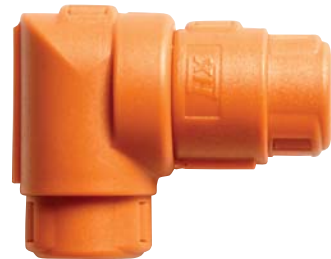
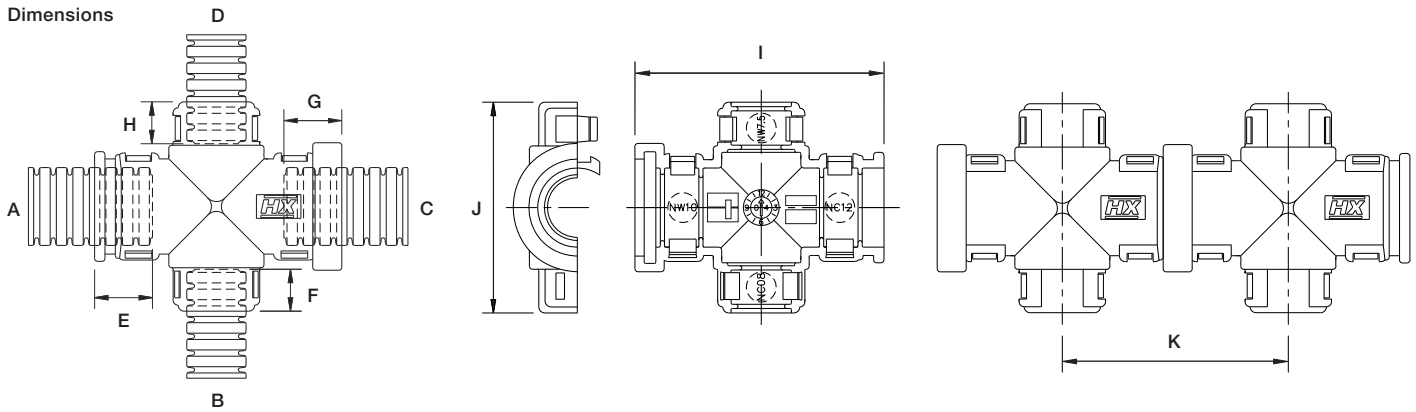


Two-piece X Configuration Fitting

Two-piece X configuration fitting providing protection for in-line connectors, fuse links, circuit breakers and splicing areas. The strong construction allows for the protection of delicate connections, or as an alternative when an interface/backshell isn't available. These fittings are designed to snap together over all types of slit and unslit Harnessflex conduit, maintaining maximum conduit bore.

| Part No. | Conduit Size (NC) | | | | Conduit Size (NW) | | | | Conduit Engagement | | | | Nominal Dimensions | | |
|----------|-------------------|----|----|----|-------------------|-----|----|-----|--------------------|-----|-------|-----|--------------------|-------|------|
| | A | B | C | D | A | B | C | D | E | F | G | H | I | J | K |
| XPH1208 | 12 | 08 | 12 | 08 | 10 | 7.5 | 10 | 7.5 | 9.5mm | 7mm | 9.5mm | 7mm | 42.3mm | 5.5mm | 38mm |

Dimensions



AMP AS Superseal Swivel Interface - High Temperature External Hinged Connector Interface

Single junction straight and 90° elbow interfaces providing high integrity, high temperature connection protection between AS - AMP Superseal connectors and Harnessflex conduit systems. In addition, 90° elbow versions allow the conduit to swivel 360° around the connector housing, sufficient to avoid the problems associated with one-piece interfaces of overflexing due to movement or vibration.



AMP AS Superseal High Temperature Straight & 90° Elbow Swivel Interface

| Part No. | Conduit Size | | Nominal Dimensions | | | | Interface Reference | Connector Reference |
|--|--------------|-----|--------------------|--------|--------|--------|---------------------|---------------------|
| | NC | NW | A | B | C | D | | |
| AMP AS Superseal Straight Interface | | | | | | | | |
| CIH08-AS2 | 08 | 7.5 | 22.4mm | 20.5mm | 18.0mm | 10.0mm | 2 Way | 282080-1* |
| CIH08-AS3 | 08 | 7.5 | 22.4mm | 26.5mm | 18.0mm | 10.0mm | 3 Way | 282087-1* |
| CIH08-AS4 | 08 | 7.5 | 34.0mm | 33.0mm | 18.0mm | 10.0mm | 4 Way | 282088-1* |
| CIH12-AS2 | 12 | 10 | 22.4mm | 20.5mm | 18.0mm | 10.0mm | 2 Way | 282080-1* |
| CIH12-AS4 | 12 | 10 | 34.0mm | 33.0mm | 19.0mm | 10.0mm | 4 Way | 282088-1* |

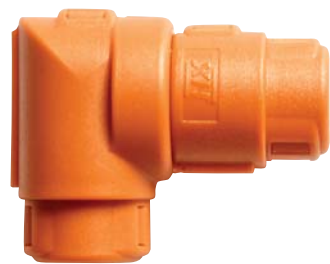
| Part No. | Conduit Size Nominal | | Dimensions | | | | Interface Reference | Connector Reference |
|--|----------------------|-----|------------|--------|--------|--------|---------------------|---------------------|
| | NC | NW | A | B | C | D | | |
| AMP AS Superseal 90° Elbow Swivel Interface | | | | | | | | |
| CIH08-90-AS2 | 08 | 7.5 | 33.3mm | 30.3mm | 18.0mm | 10.0mm | 2 Way | 282080-1* |

Dimensions

Dimensional drawings are the same as AMP Junior & Mini Timer
See diagrams opposite, on page 13

TempGuard external hinged connector interfaces

AMP Junior & Mini timer



AMP Junior & Mini Timer
High Temperature Straight &
90° Elbow Swivel Interface

AMP Junior & Mini Timer - High Temperature External Hinged Connector Interface

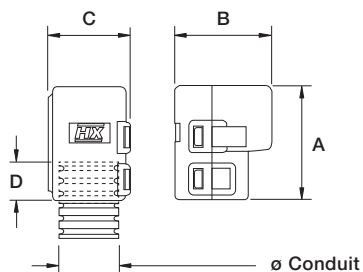
Single junction straight and 90° elbow interfaces providing high integrity, high temperature connection protection between AMP Superseal or Junior timer connectors and Harnessflex conduit systems in elevated temperature areas. In addition, 90° elbow versions allow the conduit to swivel 360° around the connector housing, sufficient to avoid the problems associated with one-piece interfaces of overflexing due to movement or vibration.

| Part No. | Conduit Size | | Nominal Dimensions | | | | Interface Reference | Connector Reference |
|---|--------------|-----|--------------------|--------|--------|--------|---------------------|---------------------|
| | NC | NW | A | B | C | D | | |
| AMP Junior & Mini Timer Straight Interface | | | | | | | | |
| CIH08-AM2 | 08 | 7.5 | 24.9mm | 21.3mm | 18.0mm | 10.0mm | 2 Way | 347887-3* |
| CIH08-AM3 | 08 | 7.5 | 24.9mm | 27.2mm | 18.0mm | 10.0mm | 3 Way | 1-827578-1* |
| CIH08-AM4 | 08 | 7.5 | 37.0mm | 32.0mm | 19.0mm | 10.0mm | 4 Way | 281804-1* |
| CIH12-AM2 | 12 | 10 | 24.9mm | 21.3mm | 18.0mm | 10.0mm | 2 Way | 347887-3* |
| CIH12-AM4 | 12 | 10 | 37.0mm | 32.0mm | 19.0mm | 10.0mm | 4 Way | 281804-1* |

| Part No. | Conduit Size | | Nominal Dimensions | | | | Interface Reference | Connector Reference |
|---|--------------|-----|--------------------|--------|--------|-------|---------------------|---------------------|
| | NC | NW | A | B | C | D | | |
| AMP Junior & Mini Timer 90° Elbow Swivel Interface | | | | | | | | |
| CIH08-90-AM2 | 08 | 7.5 | 35.7mm | 30.3mm | 21.3mm | 7.0mm | 2 Way | 347887-3* |
| CIH08-90-AM3 | 08 | 7.5 | 35.7mm | 30.3mm | 27.2mm | 7.0mm | 3 Way | 1-827578-1* |
| CIH08-90-AM4 | 08 | 7.5 | 39.5mm | 30.3mm | 32.0mm | 7.0mm | 4 Way | 281804-1* |
| CIH12-90-AM2 | 12 | 10 | 35.7mm | 30.3mm | 21.3mm | 7.0mm | 2 Way | 347887-3* |

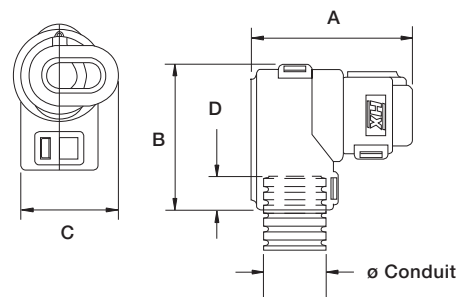
Dimensions

External straight connector interface



Dimensions

External 90° elbow connector interface



TempGuard external hinged connector interfaces

Ampseal 16



AMPSEAL 16
High Temperature Straight
& 90° Elbow Interface

Ampseal 16 - High Temperature External Hinged Connector Interface

A range of straight and 90° elbow fittings offering a compact and high integrity connection between Ampseal automotive connectors and Harnessflex conduit systems. These interfaces provide complete cable protection right up to the connector. They also provide strain relief and protection from high pressure washing, helping to maintain the sealing integrity of the connector.

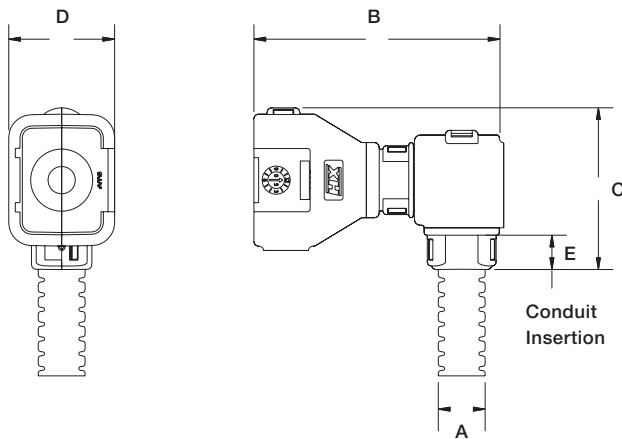
| Part No. | Conduit Size | | Nominal Dimensions | | | | Interface Reference | Connector Reference |
|--------------------------------------|--------------|-----|--------------------|--------|--------|--------|---------------------|---------------------|
| | NC | NW | B | C | D | E | | |
| Ampseal 16 Straight Interface | | | | | | | | |
| CIH08-AT2PL | 08 | 7.5 | 23.0mm | 18.0mm | 34.0mm | 12.0mm | 2 Way | 776427-1* |
| CIH08-AT3PL | 08 | 7.5 | 28.0mm | 18.0mm | 33.0mm | 11.0mm | 3 Way | 776427-1* |
| CIH08-AT4PL | 08 | 7.5 | 29.0mm | 23.0mm | 39.0mm | 13.0mm | 4 Way | 776487-1* |
| CIH12-AT4PL | 12 | 10 | 29.0mm | 23.0mm | 37.0mm | 11.0mm | 4 Way | 776487-1* |
| CIH12-AT6PL | 12 | 10 | 29.0mm | 23.0mm | 37.0mm | 11.0mm | 6 Way | 776433-1* |
| CIH12-AT8PL | 12 | 10 | 32.0mm | 23.0mm | 37.0mm | 11.0mm | 8 Way | 776494-1* |

| Part No. | Conduit Size | | Nominal Dimensions | | | | Interface Reference | Connector Reference |
|---------------------------------------|--------------|-----|--------------------|--------|--------|-------|---------------------|---------------------|
| | NC | NW | B | C | D | E | | |
| Ampseal 16 90° Elbow Interface | | | | | | | | |
| CIH08-90-AT2LP | 08 | 7.5 | 37.3mm | 25.0mm | 17.0mm | 7.1mm | 2 Way | 776427-1* |
| CIH08-90-AT3LP | 08 | 7.5 | 39.8mm | 29.0mm | 17.1mm | 7.1mm | 3 Way | 776427-1* |
| CIH08-90-AT2PL | 08 | 7.5 | 49.0mm | 32.0mm | 20.0mm | 7.1mm | 2 Way | 776427-1* |
| CIH08-90-AT3PL | 08 | 7.5 | 49.0mm | 34.0mm | 20.0mm | 7.1mm | 3 Way | 776427-1* |
| CIH12-90-AT2LP | 12 | 10 | 38.0mm | 23.0mm | 20.0mm | 7.1mm | 2 Way | 776427-1* |
| CIH12-90-AT3LP | 12 | 10 | 40.2mm | 27.1mm | 17.1mm | 7.1mm | 3 Way | 776427-1* |
| CIH12-90-AT3LR | 12 | 10 | 40.2mm | 27.1mm | 17.1mm | 7.1mm | 3 Way | - |
| CIH12-90-AT6LP | 12 | 10 | 43.1mm | 27.5mm | 22.5mm | 7.1mm | 6 Way | 776433-1* |

NOTE: LP = Plug, LR = Receptacle

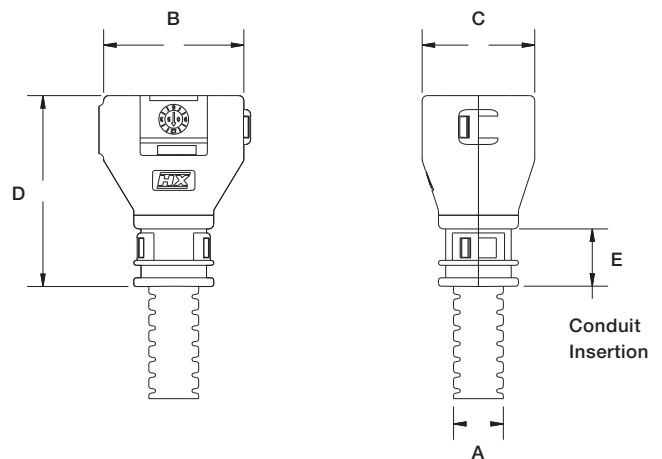
Dimensions

External 90° elbow connector interface



Dimensions

External straight connector interface



TempGuard external hinged connector interfaces

Bosch Compact



Bosch Compact
High Temperature Straight
& 90° Elbow Interface

Bosch Compact - High Temperature External Hinged Connector Interface

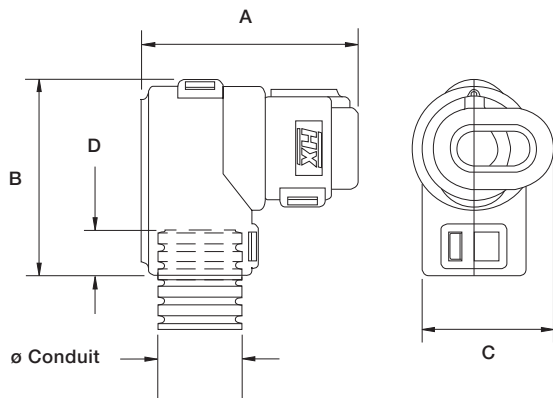
Single junction straight and 90° elbow fittings providing high integrity, high temperature connection between Bosch Compact connectors and Harnessflex conduit systems in elevated temperature areas. In addition, 90° elbow versions allow the conduit to swivel 360° around the connector housing, sufficient to avoid the problems associated with one-piece interfaces of overflexing due to movement or vibration.

| Part No. | Conduit Size | | Nominal Dimensions | | | | Interface Reference | Connector Reference |
|---|--------------|-----|--------------------|--------|--------|--------|---------------------|---------------------|
| | NC | NW | A | B | C | D | | |
| Bosch Compact Straight Interface | | | | | | | | |
| CIH08-BC2 | 08 | 7.5 | 25.0mm | 21.3mm | 18.0mm | 10.0mm | 2 Way | 1 928 403 137* |
| CIH08-BC3 | 08 | 7.5 | 25.0mm | 26.7mm | 18.0mm | 10.0mm | 3 Way | 1 928 403 110* |
| CIH12-BC2 | 12 | 10 | 25.0mm | 21.3mm | 18.0mm | 10.0mm | 2 Way | 1 928 403 137* |
| CIH12-BC3 | 12 | 10 | 25.0mm | 26.7mm | 18.0mm | 10.0mm | 3 Way | 1 928 403 110* |

| Part No. | Conduit Size | | Nominal Dimensions | | | | Interface Reference | Connector Reference |
|---|--------------|-----|--------------------|--------|--------|--------|---------------------|---------------------|
| | NC | NW | A | B | C | D | | |
| Bosch Compact 90° Elbow Swivel Interface | | | | | | | | |
| CIH08-90-BC2 | 08 | 7.5 | 33.3mm | 30.3mm | 20.5mm | 10.0mm | 2 Way | 1 928 403 137* |
| CIH08-90-BC3 | 08 | 7.5 | 33.3mm | 30.3mm | 26.7mm | 10.0mm | 3 Way | 1 928 403 110* |
| CIH12-90-BC2 | 12 | 10 | 33.3mm | 30.3mm | 20.5mm | 10.0mm | 2 Way | 1 928 403 137* |

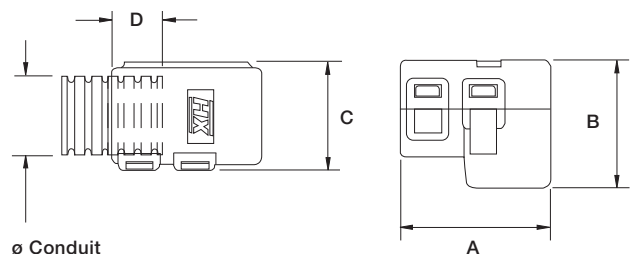
Dimensions

External 90° elbow connector interface



Dimensions

External straight connector interface



TempGuard external hinged connector interfaces

Deutsch - DT Series



Deutsch - DT Series
High Temperature Straight &
90° Elbow Swivel Interface

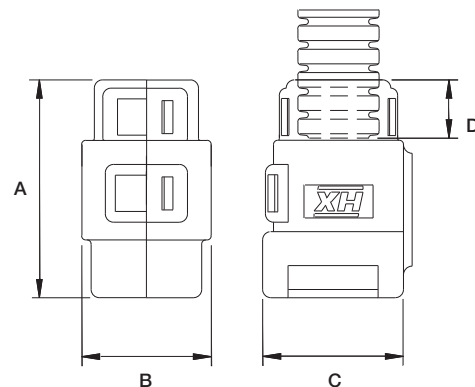
Deutsch - DT Series Interface - High Temperature External Hinged Connector Interface

Single junction straight and 90° elbow fittings providing high integrity connections between Deutsch DT connectors and Harnessflex conduitsystems. In addition, 90° elbow versions allow the conduit to swivel 360° around the connector housing, sufficient to avoid the problems associated with one-piece interfaces of overflexing due to movement or vibration.

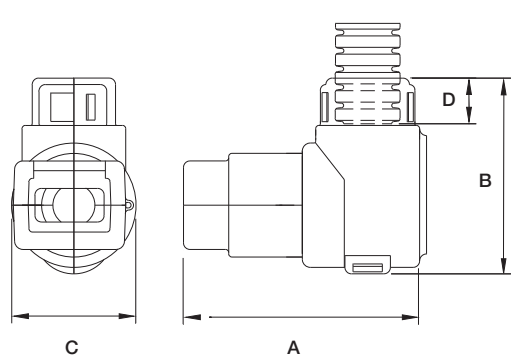
| Part No. | Conduit Size | | Nominal Dimensions | | | | Interface Reference | Connector Reference |
|---|--------------|-----|--------------------|--------|--------|--------|---------------------|---------------------|
| | NC | NW | A | B | C | D | | |
| Deutsch - DT Series Straight Interface | | | | | | | | |
| CIH08-DT2 | 08 | 7.5 | 26.0mm | 16.0mm | 18.0mm | 7.0mm | 2 Way | DT06-2S* |
| CIH08-DT3 | 08 | 7.5 | 30.0mm | 22.0mm | 24.0mm | 12.0mm | 3 Way | DT06-3S* |
| CIH08-DT4 | 08 | 7.5 | 42.0mm | 18.0mm | 27.0mm | 12.0mm | 4 Way | DT06-4S* |
| CIH12-DT2 | 12 | 10 | 26.0mm | 16.0mm | 18.0mm | 7.0mm | 2 Way | DT06-2S* |
| CIH12-DT3 | 12 | 10 | 29.0mm | 22.0mm | 24.0mm | 7.0mm | 3 Way | DT06-3S* |
| CIH12-DT4 | 12 | 10 | 40.0mm | 18.0mm | 27.0mm | 7.0mm | 4 Way | DT06-4S* |
| CIH12-DT6 | 12 | 10 | 40.0mm | 22.0mm | 27.0mm | 10.0mm | 6 Way | DT06-6S* |
| CIH12-DT8 | 12 | 10 | 40.0mm | 25.0mm | 30.0mm | 10.0mm | 8 Way | DT06-8S* |

| Part No. | Conduit Size | | Nominal Dimensions | | | | Interface Reference | Connector Reference |
|---|--------------|-----|--------------------|--------|--------|-------|---------------------|---------------------|
| | NC | NW | A | B | C | D | | |
| Deutsch - DT Series 90° Elbow Swivel Interface | | | | | | | | |
| CIH08-90-DT2 | 08 | 7.5 | 36.0mm | 30.0mm | 19.0mm | 7.0mm | 2 Way | DT06-2S* |
| CIH08-90-DT4 | 08 | 7.5 | 48.0mm | 30.0mm | 25.0mm | 7.0mm | 4 Way | DT06-4S* |
| CIH12-90-DT2 | 12 | 10 | 36.0mm | 30.0mm | 19.0mm | 7.0mm | 2 Way | DT06-2S* |

Dimensions
Straight connector



Dimensions
90° Connector



TempGuard external hinged connector interfaces

FCI Automotive Apex



FCI Automotive Apex
High Temperature Straight &
90° Elbow Swivel Interface

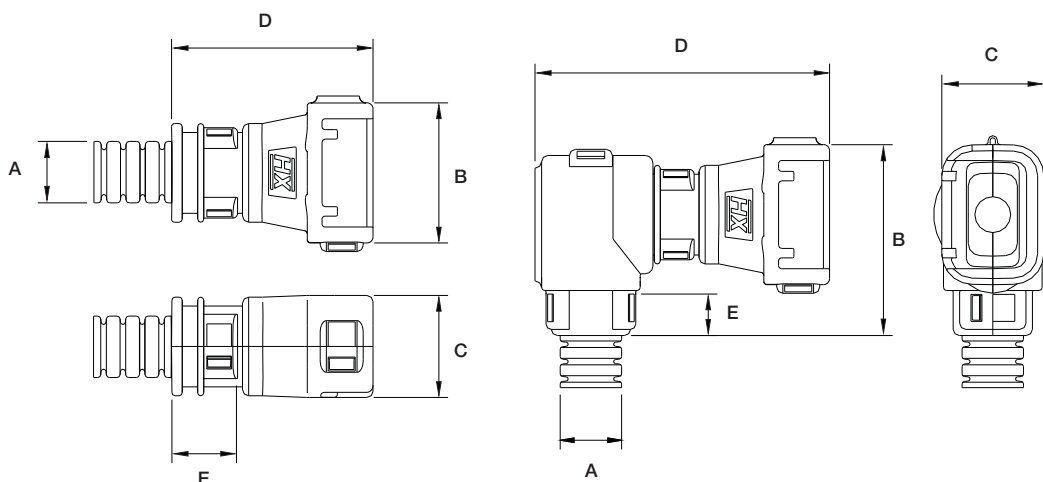
FCI Automotive Apex Interface - High Temperature External Hinged Connector Interface

A range of straight and 90° elbow fittings offering a compact and high integrity, high temperature connection protection between FCI Apex automotive connectors or junior timer connectors and Harnessflex conduit systems in elevated temperature areas. These interfaces provide complete cable protection right up to the connector. They also provide strain relief and protection from high pressure washing, helping to maintain the sealing integrity of the connector.

| Part No. | Conduit Size (A) | | Nominal Dimensions | | | |
|---|------------------|-----|--------------------|--------|--------|--------|
| | NC | NW | B | C | D | E |
| FCI Automotive Apex Straight Interface | | | | | | |
| CIH08-FCI02 | 08 | 7.5 | 25.0mm | 17.0mm | 33.0mm | 12.0mm |
| CIH08-FCI03 | 08 | 7.5 | 34.0mm | 17.0mm | 34.0mm | 12.0mm |
| CIH08-FCI04 | 08 | 7.5 | 39.0mm | 17.0mm | 34.0mm | 12.0mm |
| CIH12-FCI02 | 12 | 10 | 25.0mm | 17.0mm | 27.0mm | 7.0mm |
| CIH12-FCI03 | 12 | 10 | 35.0mm | 17.0mm | 29.0mm | 7.0mm |
| CIH12-FCI04 | 12 | 10 | 38.0mm | 17.0mm | 29.0mm | 7.0mm |
| CIH12-FCI14 | 12 | 10 | 53.0mm | 26.0mm | 34.0mm | 10.0mm |

| Part No. | Conduit Size (A) | | Nominal Dimensions | | | |
|---|------------------|-----|--------------------|--------|--------|--------|
| | NC | NW | B | C | D | E |
| FCI Automotive Apex 90° Elbow Swivel Interface | | | | | | |
| CIH08-90-FCI02 | 08 | 7.5 | 31.0mm | 19.0mm | 48.0mm | 10.0mm |
| CIH08-90-FCI03 | 08 | 7.5 | 35.0mm | 19.0mm | 49.0mm | 10.0mm |
| CIH12-90-FCI02 | 12 | 10 | 32.0mm | 19.0mm | 48.0mm | 10.0mm |

Dimensions





High temperature conduit

HTC High temperature, Modified Co-Polyester



HTC Medium Weight
High Temperature Conduit

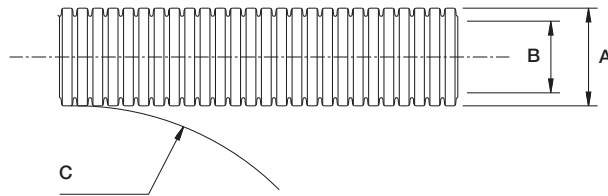
HTC Medium Weight High Temperature - Conduit

High temperature conduit / Materials: Modified Co-Polyester / Colour: Black (BL)

| Part No. | Conduit Size | | Nominal O/D A | Min. Bore B | Min. Static Bend Radius C | Reel Length |
|----------|--------------|-----|------------------|----------------|------------------------------|----------------|
| | NC | NW | | | | |
| HTC08 | 08 | 7.5 | 9.8mm | 6.2mm | 20mm | 50m |
| HTC10 | 10 | 8.5 | 11.5mm | 8.7mm | 15mm | 50m |
| HTC12 | 12 | 10 | 13.0mm | 9.4mm | 25mm | 50m |
| HTC16 | 16 | 13 | 16.0mm | 11.0mm | 30mm | 50m |
| HTC20 | 20 | 17 | 21.2mm | 16.1mm | 40mm | 50m |
| HTC25* | 25 | 22 | 25.3mm | 21.0mm | 45mm | 50m |
| HTC28* | 28 | 23 | 28.5mm | 22.5mm | 45mm | 50m |

*Parts numbers listed are available to order but not stocked items, and would therefore be subject to manufacturing leadtime
To order quote part number & reel length, e.g. HTC08/50m

Dimensions



Applications

This conduit has been developed for use in where elevated temperatures occur. Suitable for long term exposure, up to 190°C.





Harnessflex TempGuard system High temperature wiring harnesses



Index

Order code classification

| Part No. | GID No. | Page | Part No. | GID No. | Page | Part No. | GID No. | Page |
|----------------|-----------------|------|-------------|-----------------|------|-----------|-----------------|------|
| CIH08-90-AM2 | 7TCA298010R1133 | 13 | CIH12-FCI03 | 7TCA298010R1215 | 17 | TPH201020 | 7TCA298010R1161 | 10 |
| CIH08-90-AM3 | 7TCA298010R1134 | 13 | CIH12-FCI04 | 7TCA298010R1216 | 17 | TPH201216 | 7TCA298010R1147 | 10 |
| CIH08-90-AM4 | 7TCA298010R1135 | 13 | CIH12-FCI14 | 7TCA298010R1058 | 17 | TPH201220 | 7TCA298010R1148 | 10 |
| CIH08-90-AS2 | - | 12 | EPH1612 | 7TCA298010R1053 | 9 | TPH201612 | 7TCA298010R1162 | 10 |
| CIH08-90-AT2LP | 7TCA298010R1189 | 14 | EPH1616 | 7TCA298010R1054 | 9 | TPH201616 | 7TCA298010R1149 | 10 |
| CIH08-90-AT3LP | 7TCA298010R1190 | 14 | EPH2020 | 7TCA298010R1067 | 9 | TPH201620 | 7TCA298010R1150 | 10 |
| CIH08-90-AT2PL | 7TCA298010R1091 | 14 | EPH08S08 | 7TCA298010R1068 | 9 | TPH202012 | 7TCA298010R1151 | 10 |
| CIH08-90-AT3PL | 7TCA298010R1092 | 14 | EPH12S12 | 7TCA298010R1071 | 9 | TPH202016 | 7TCA298010R1152 | 10 |
| CIH08-90-BC2 | 7TCA298010R1202 | 15 | EPH1608 | 7TCA298010R1072 | 9 | TPH202020 | 7TCA298010R1153 | 10 |
| CIH08-90-BC3 | 7TCA298010R1203 | 15 | EPH2008 | 7TCA298010R1069 | 9 | XPH1208 | 7TCA298010R1231 | 12 |
| CIH08-90-DT2 | 7TCA298010R1212 | 16 | EPH2016 | 7TCA298010R1070 | 9 | YPH080808 | 7TCA298010R1039 | 11 |
| CIH08-90-DT4 | 7TCA298010R1109 | 16 | HTC08 | 7TCA298010R1126 | 19 | YPH080812 | 7TCA298010R1170 | 11 |
| CIH08-90-FCI02 | 7TCA298010R1119 | 17 | HTC10 | 7TCA298010R1127 | 19 | YPH081208 | 7TCA298010R1171 | 11 |
| CIH08-90-FCI03 | 7TCA298010R1120 | 17 | HTC12 | 7TCA298000R0175 | 19 | YPH101010 | 7TCA298010R1172 | 11 |
| CIH08-AM2 | 7TCA298010R1064 | 13 | HTC16 | 7TCA298010R1129 | 19 | YPH120808 | 7TCA298010R1040 | 11 |
| CIH08-AM3 | 7TCA298010R1081 | 13 | HTC20 | 7TCA298010R1130 | 19 | YPH120810 | 7TCA298010R0903 | 11 |
| CIH08-AM4 | 7TCA298010R1082 | 13 | HTC25 | 7TCA298010R1131 | 19 | YPH121010 | 7TCA298010R1173 | 11 |
| CIH08-AS2 | 7TCA298010R1073 | 12 | HTC28 | 7TCA298010R1132 | 19 | YPH121208 | 7TCA298010R0906 | 11 |
| CIH08-AS3 | 7TCA298010R1065 | 12 | JPH1208 | 7TCA298010R1220 | 9 | YPH121210 | 7TCA298010R1174 | 11 |
| CIH08-AS4 | 7TCA298010R1074 | 12 | JPH1212 | 7TCA298010R1219 | 9 | YPH121212 | 7TCA298010R1041 | 11 |
| CIH08-AT2PL | 7TCA298010R1062 | 14 | JPH1612 | 7TCA298010R1051 | 9 | YPH161010 | 7TCA298010R1175 | 11 |
| CIH08-AT3PL | 7TCA298010R1063 | 14 | JPH1616 | 7TCA298010R1221 | 9 | YPH161208 | 7TCA298010R0916 | 11 |
| CIH08-AT4PL | 7TCA298010R1088 | 14 | JPH2008 | 7TCA298010R1222 | 9 | YPH161210 | 7TCA298010R1176 | 11 |
| CIH08-BC2 | 7TCA298010R1196 | 15 | JPH2016 | 7TCA298010R1223 | 9 | YPH161212 | 7TCA298010R0920 | 11 |
| CIH08-BC3 | 7TCA298010R1197 | 15 | JPH2020 | 7TCA298010R1138 | 9 | YPH161608 | 7TCA298010R1042 | 11 |
| CIH08-DT2 | 7TCA298010R1060 | 16 | TPH080808 | 7TCA298010R1046 | 10 | YPH161610 | 7TCA298010R1177 | 11 |
| CIH08-DT3 | 7TCA298010R1061 | 16 | TPH081208 | 7TCA298010R1224 | 10 | YPH161612 | 7TCA298010R1043 | 11 |
| CIH08-DT4 | 7TCA298010R1205 | 16 | TPH081612 | 7TCA298010R1228 | 10 | YPH200808 | 7TCA298010R1178 | 11 |
| CIH08-FCI02 | 7TCA298010R1055 | 17 | TPH100808 | 7TCA298010R1047 | 10 | YPH201208 | 7TCA298010R1179 | 11 |
| CIH08-FCI03 | 7TCA298010R1056 | 17 | TPH101010 | 7TCA298010R1154 | 10 | YPH201210 | 7TCA298010R1180 | 11 |
| CIH08-FCI04 | 7TCA298010R1057 | 17 | TPH101012 | 7TCA298010R1155 | 10 | YPH201212 | 7TCA298010R0933 | 11 |
| CIH12-90-BC2 | - | 15 | TPH120808 | 7TCA298010R1225 | 10 | YPH201608 | 7TCA298010R1181 | 11 |
| CIH12-90-AM2 | 7TCA298010R1136 | 13 | TPH120812 | 7TCA298010R1048 | 10 | YPH201612 | 7TCA298010R1182 | 11 |
| CIH12-AM2 | 7TCA298010R1083 | 13 | TPH121010 | 7TCA298010R1229 | 10 | YPH201616 | 7TCA298010R1044 | 11 |
| CIH12-AM4 | 7TCA298010R1084 | 13 | TPH121012 | 7TCA298010R1230 | 10 | YPH202008 | 7TCA298010R0943 | 11 |
| CIH12-AS2 | 7TCA298010R1075 | 12 | TPH121208 | 7TCA298010R1226 | 10 | YPH202010 | 7TCA298010R1183 | 11 |
| CIH12-AS4 | 7TCA298010R1076 | 12 | TPH121210 | 7TCA298010R1156 | 10 | YPH202012 | 7TCA298010R0946 | 11 |
| CIH12-AT4PL | 7TCA298010R1185 | 14 | TPH121212 | 7TCA298010R1227 | 10 | YPH202016 | 7TCA298010R1045 | 11 |
| CIH12-AT6PL | 7TCA298010R1186 | 14 | TPH121612 | 7TCA298010R1139 | 10 | | | |
| CIH12-AT8PL | 7TCA298010R1187 | 14 | TPH160808 | 7TCA298010R1157 | 10 | | | |
| CIH12-90-AT2LP | 7TCA298010R1191 | 14 | TPH160812 | 7TCA298010R1140 | 10 | | | |
| CIH12-90-AT3LP | 7TCA298010R1192 | 14 | TPH160816 | 7TCA298010R1158 | 10 | | | |
| CIH12-90-AT2PL | 7TCA298010R1103 | 14 | TPH161012 | 7TCA298010R1159 | 10 | | | |
| CIH12-90-AT3PL | 7TCA298010R1104 | 14 | TPH161016 | 7TCA298010R1141 | 10 | | | |
| CIH12-BC2 | 7TCA298010R1198 | 15 | TPH161212 | 7TCA298010R1141 | 10 | | | |
| CIH12-BC3 | 7TCA298010R1199 | 15 | TPH161216 | 7TCA298010R1233 | 10 | | | |
| CIH12-90-DT2 | 7TCA298010R1213 | 16 | TPH161608 | 7TCA298010R1142 | 10 | | | |
| CIH12-90-FCI02 | 7TCA298010R1121 | 17 | TPH161612 | 7TCA298010R1049 | 10 | | | |
| CIH12-DT2 | 7TCA298010R1206 | 16 | TPH161616 | 7TCA298010R1143 | 10 | | | |
| CIH12-DT3 | 7TCA298010R1207 | 16 | TPH162012 | 7TCA298010R1144 | 10 | | | |
| CIH12-DT4 | 7TCA298010R1208 | 16 | TPH162016 | 7TCA298010R1145 | 10 | | | |
| CIH12-DT6 | 7TCA298010R1209 | 16 | TPH200816 | 7TCA298010R1050 | 10 | | | |
| CIH12-DT8 | 7TCA298010R1210 | 16 | TPH200820 | 7TCA298010R1146 | 10 | | | |
| CIH12-FCI02 | 7TCA298010R1214 | 17 | TPH201016 | 7TCA298010R1160 | 10 | | | |

Contact us

Harnessflex

Station Road

Coleshill

Birmingham B46 1HT

Tel: +44 (0) 1675 468 222

Fax: +44 (0) 1675 464 930

ABB UK Sales Tel: +44 (0) 333 999 9900

ABB UK Sales Fax: +44 (0) 333 999 9901

E-Mail: sales@harnessflex.co.uk

www.harnessflex.com

Note: We reserve the right to make technical changes or modify the contents of this document without prior notice. With regard to purchase orders and/or contracts, the agreed particulars shall prevail. Harnessflex does not accept any responsibility whatsoever for potential errors or possible lack of information in this document.

We reserve all rights in this document and in the subject matter and illustrations contained therein. Any reproduction, disclosure to third parties or utilisation of its contents – in whole or in parts – is forbidden without prior written consent of Harnessflex.

Copyright © 2016 Harnessflex

All rights reserved